

Branch Numbers

Andhra Pradesh & Telangana
9347034499/9343938824
Chhattisgarh 9098926393
Chandigarh/Haryana 9357675342
Delhi 9312435710

Goa 9371206064
Gujrat 9376444456/9328888324
Jharkhand & Bihar 8229953396
Karnataka 9343938824
Kerala 9349034499/9343938824

Madhya Pradesh 9098926393
Odisha 8229953396
Punjab 9316121279
Pune 9028805746
Rajasthan 9314511081

Tamil Nadu 9382533344/9343938824
Uttarakhand 8881521100
Uttar Pradesh 9389189540
West Bengal 8229953396
Maharashtra 9371206064

Display Centres

Toll Free Number: 1800-113011 (For all over india)
Customer care: 9350517010
Website: www.woven-gold.in
For general query: info@woven-gold.in
After sales service:
customercare.wovengold@gmail.com

Delhi
Plot No. 414, Patparganj Industrial Area,
Delhi 110092
Ph: 011-22146122, 22163153, 22163155

Ahmedabad
102-103 Iscon plaza, Near Jodhpur Char Rasta,
Satellite Road, Ahmedabad 380015, Gujrat
Ph: 079 - 26926027, 09376444456

Jaipur
7, Ganesh Vihar, Rail Nagar, T.M. Mishra Marg,
Nirman Nagar, Jaipur 302019, Rajasthan
Ph: 09314511081 /9413344575

Mumbai
Kheera Nagar Industrial Estate, F-5, 1st Floor,
B.M. Bhargav Marg, Kheera Nagar, Santa Cruz(W),
Off S.V. Road, Mumbai 400054, Maharashtra
Ph: 022 - 26615520 /9371206064

Dehradun
Anand Tower, New Cantt Road,
Dehradun, Uttarakhand
Ph: 08881521100

Lucknow
A.C. Tower-4, Surinder Nagar, Ismail Ganj,
Faizabad Road, Opp Lucknow High Court
New Campus, Lucknow 227105, UP
Ph: +91-9389805486, 9389189540

WovenGold
pamper your senses

Health • Hygiene • Happiness



For the Jazz of life
Relax, Revitalize and
recharge your soul.

www.woven-gold.in

Bath | Shower



Rejuvenating with a fresher appeal...

WovënGold
pamper your senses

Table of content

■ About the company ...5	■ Coral ...44	■ Smart ...66
■ Fortune ...14	■ Pearl ...46	■ Attraction ...67
■ Freedom ...16	■ Expression ...48	■ Saffi ...68
■ Lavender ...18	■ Glamour ...50	■ Lord ...69
■ Sunstar ...20	■ Perfect ...52	■ Eden ...70
■ Love ...22	■ Diamond ...54	■ Special ...71
■ Dream ...24	■ Amazon ...56	■ Bold ...72
■ Endeavour ...26	■ Shine ...57	■ Lagoon ...73
■ Sea ...28	■ Swift ...58	■ Wave ...74
■ Rainbow ...30	■ Appeal ...59	■ Century ...75
■ Majestic ...32	■ Grace ...60	■ Utopia ...76
■ Ocean ...34	■ Desire ...61	■ Evoke ...77
■ Pond ...36	■ Beauty ...62	■ Carol ...78
■ Rainfall ...38	■ Ideal ...63	■ Stark ...79
■ Splash ...40	■ Ecstasy ...64	
■ Explorer ...42	■ Alpha ...65	



WovenGold



the name, **the brand**, that makes the difference...



WovenGold: Not just a name

Paragons of the field, WovenGold has been manufacturing hydro massage baths and showers for more than five decades. Having become synonymous with "whirlpool bath", WovenGold has patented hundreds of designs and innovative products. Unique and reliable in every way, these products are a combination of technology, ergonomics and design. Developed by the greatest Italian and International designers, these are marvels in aesthetics. Incorporating comfort and style, each product is in tune with the latest trends. Superior in quality, durability and reliability, they have been manufactured with the best components. Utilizing innovative and cutting edge technology in manufacturing, they have a sturdy structure with efficient insulation that reduces energy expenditure.

WovenGold is not just a bath, it is an experience of harmony and wellness, an experience of Life.



Rejuvenating with a fresher appeal...

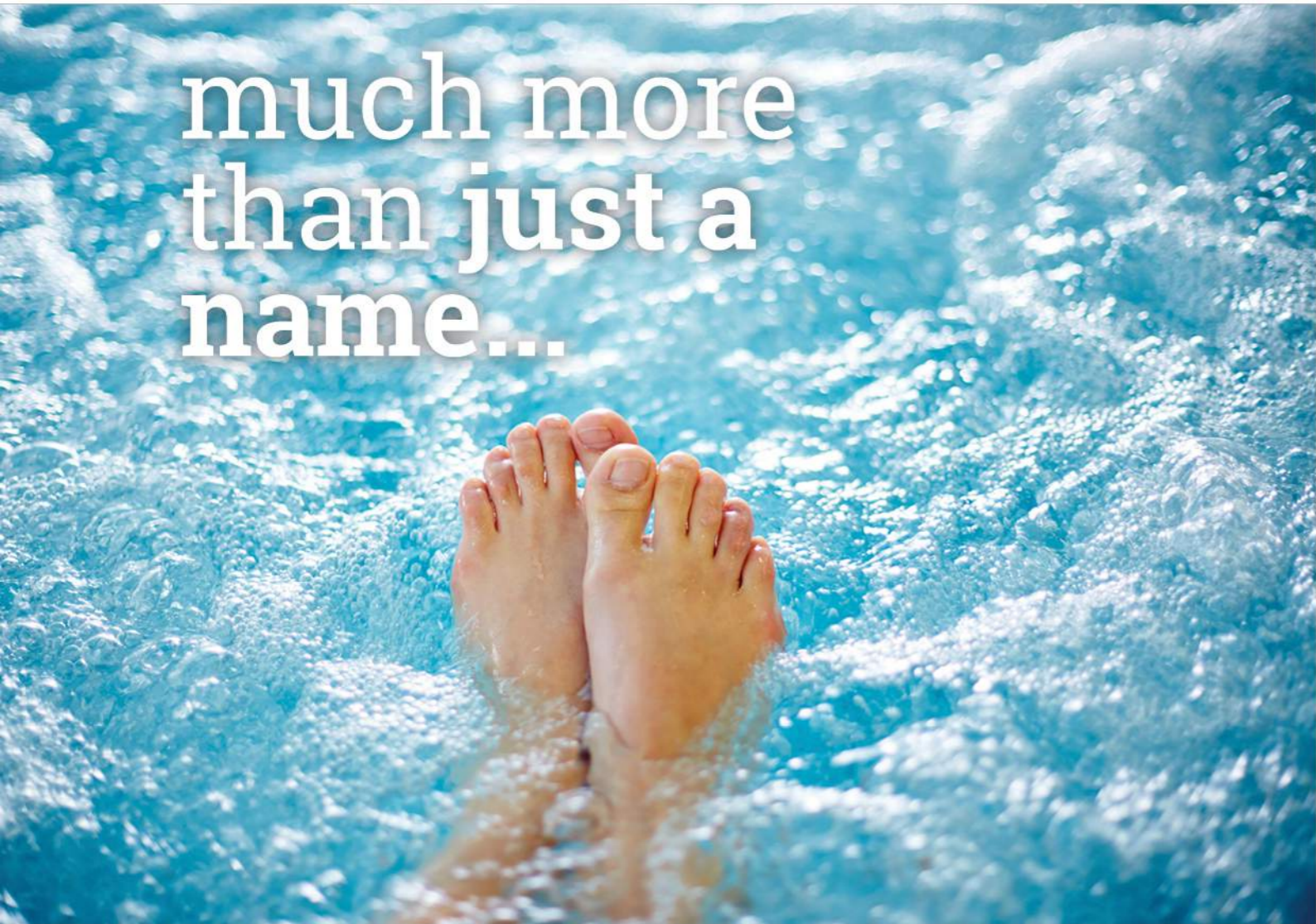


Holistic wellness for the body and the senses...

Life is demanding. Anxiety and stress are the resultants. Busy life craves a constant need for restoring balance and rhythm. WovenGold is inspired to improve life by providing revitalizing and rejuvenating shower experience. Designed with aesthetics, paramount functionality and high performance, the showers from WovenGold stand for health and pleasure. Representing jubilation for the body, euphoria for the senses, WovenGold brings holistic wellness along with an unforgettable experience.

WovenGold

much more
than just a
name...



The WovenGold collection is designed with expertise for highest relaxation. The novel designing is supported by ingenious engineering and excellent styling. With a touch of futuristic technology, the result is great products with superior performance to give ultimate relaxation for the body and the spirit.



Design

Innovation, experience and functionality put together with great aesthetics.



Performance

Years of research and advanced technology generate efficiency and great outcomes



Technology

The advancements of modern times incorporated at every step of building the master piece



Health

The ultimate goal of total well being by relaxing and rejuvenating body, mind and soul



◀ Neck

◀ Shoulders

◀ Back

◀ Loins

◀ Hip

◀ Thigh | Knees

◀ Leg | Feet

WovenGold: Jets give a targetted and powerful massage...

How it benefits...

Hydrotherapy refreshes the body. Water when used as steam or in jet is capable of relieving stress and tension. As the jet of water from nozzles of Jacuzzi target areas of the body, the micro bubbles give a deep massage with improved circulation. The release of endorphins further produces a state of tranquility.

Air massage: targets lower body created by air generated from blower system which oxygenates the skin and rejuvenates skin.



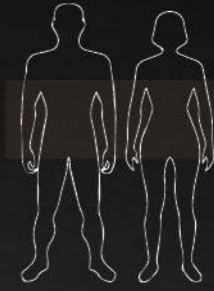
Neck

The Jacuzzi jets target the neck muscles and give a strain relieving massage to reduce fatigue and pain.



Shoulders

The Jacuzzi jets in the upper zone target these muscles relaxing and relieving strain and fatigue.



Back

The lumbar jets with rotating function are just perfect for this area relieving pain and relaxing with consistent massage.



Lions

The large jet placed in the centre for this particular area provides relaxation and relieves stress and pain.



Hip | Thighs | Knees

The jets fitted especially for this target area stimulate blood circulation to produce relaxation.



Legs | Feet

The jets positioned for the legs and the feet activate blood flow to these parts restoring strength and providing relief in pain.

Six reasons to choose WovenGold



Perfect Bath
Modern designs, great technology, and versatility make all Jacuzzi baths the perfect choice to enhance your bathing experience.

Long Lasting Effect
With proper ergonomics and perfect depth, Jacuzzi baths give enough room to immerse you completely producing long lasting effect of the hydro- massage

Quality for Perfection
Jacuzzi spells quality utilizing the best material that is resistant to heat, light, moisture or any other pressures but flexible enough to allow versatile designing.

Feature Rich & Easy
Jacuzzi baths have exquisite features that enhance beauty and comfort. Easy to use, they make the Jacuzzi experience all the more rejuvenating and relaxing.

Easy Control
The baths have remote control that allows easy activation of all functions with simple touch giving best performance with ease.

Durability & Reliability
Jacuzzi comes with a guarantee of durability and reliability that is synonymous with the name. Made from the best material utilizing the most advanced technology Jacuzzi is a product for a lifetime.



Fortune

Size: 1830L X 920W X 510D X 620H (MM)

Features:

- Hot & cold mixer with diverter
- Hand shower
- Diverter for hand shower and water filler
- Water drain with popup & overflow
- Designer Pillow
- Electronic control panel with remote
- Bath tub filler

Safety features:

- Water lever sensor
- Dry running protection
- Self locking protection

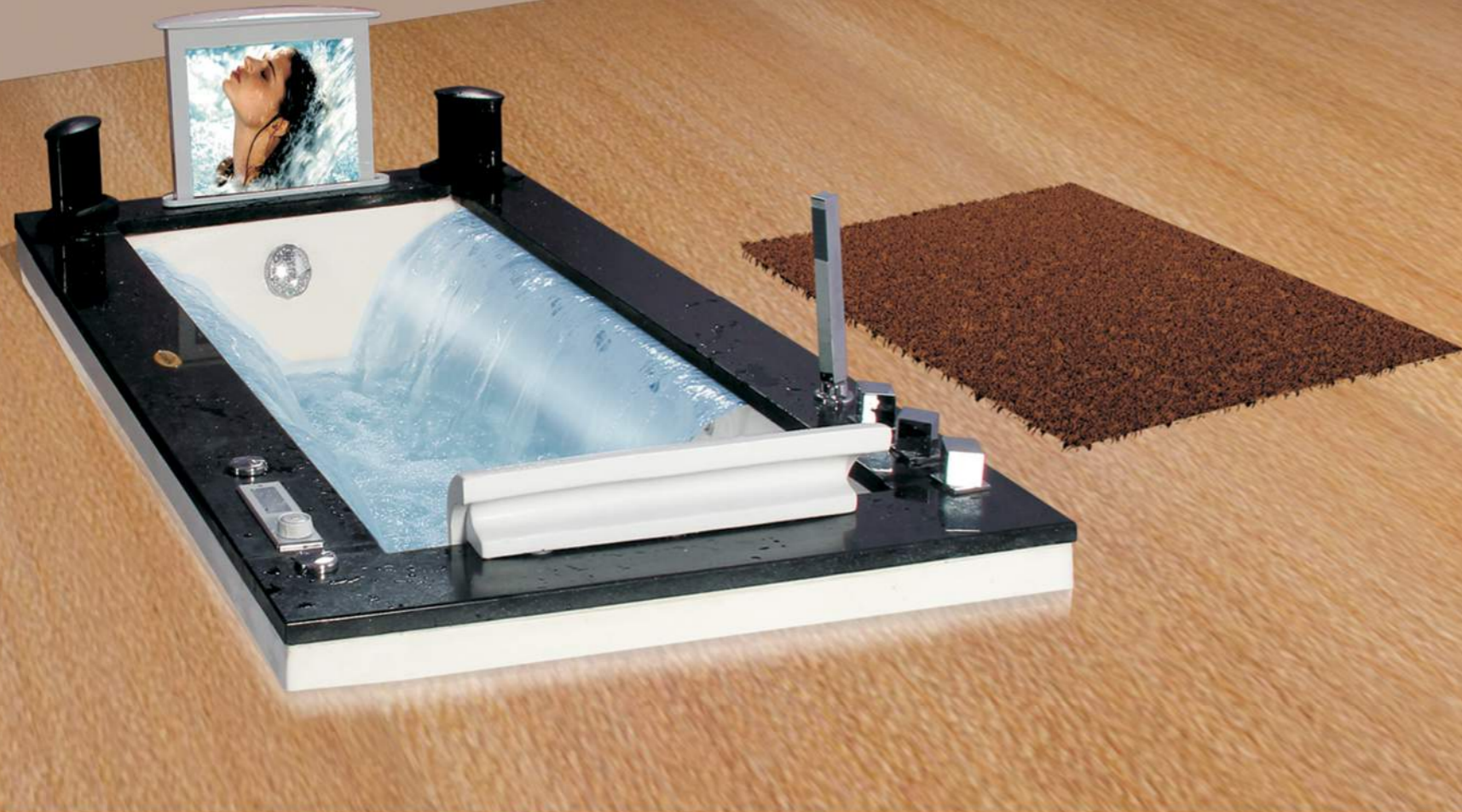
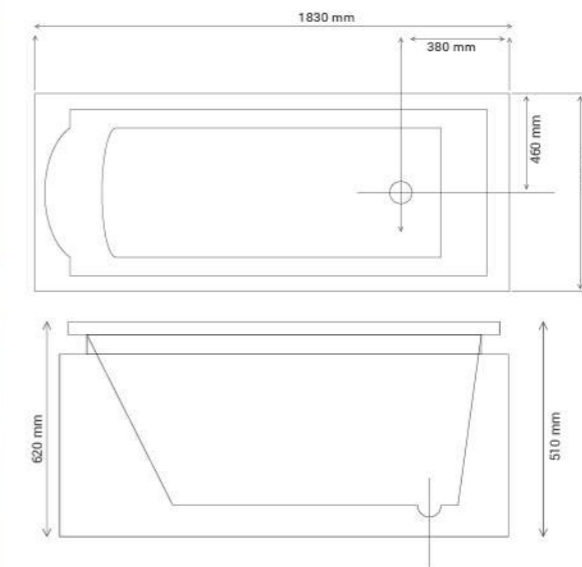
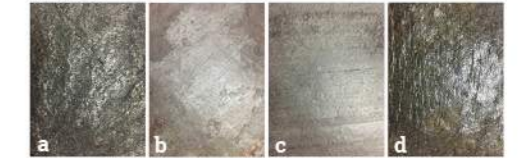
Optional:

- Online heater
- T.V.
- Popup speaker
- Front panel
- Dry running protection
- Side panel

Highlights:

- Neck waterfall 1 pc
- Full marble top
- Chroma light under the water fall 18 pcs
- Five big hydro massage jets
- 8 air therapy jets with chroma light
- Hydro massage pump 1 HP
- 3 spinal jets for back massage
- 1 HP pump for water fall & neck water fall
- Air blower pump for air massage
- Big waterfall two side under the marble top
- FM radio with CD signal input terminal
- Speaker
- Ozonizer O3
- Setting Temperature for heater 25 to 45 °c

Shades





Freedom

Size : 1700L X 1150W X 492D X 630H (MM)

Features:

- Hot & Cold Mixer with diverter
- Hand Shower
- Diverter For Hand Shower and Water Filler
- Designer Pillow
- Water Drain With Popup & overflow
- Touch Screen Control Panel with Remote

- Eight Spinal Jets
- Fm Radio & Cd Signal Input Terminal
- Hydro Massage Pump 2 Hp
- Ozonizer O3
- Speaker
- Fifteen Chroma Lights
- Air blower pump for air massage

Safety features:

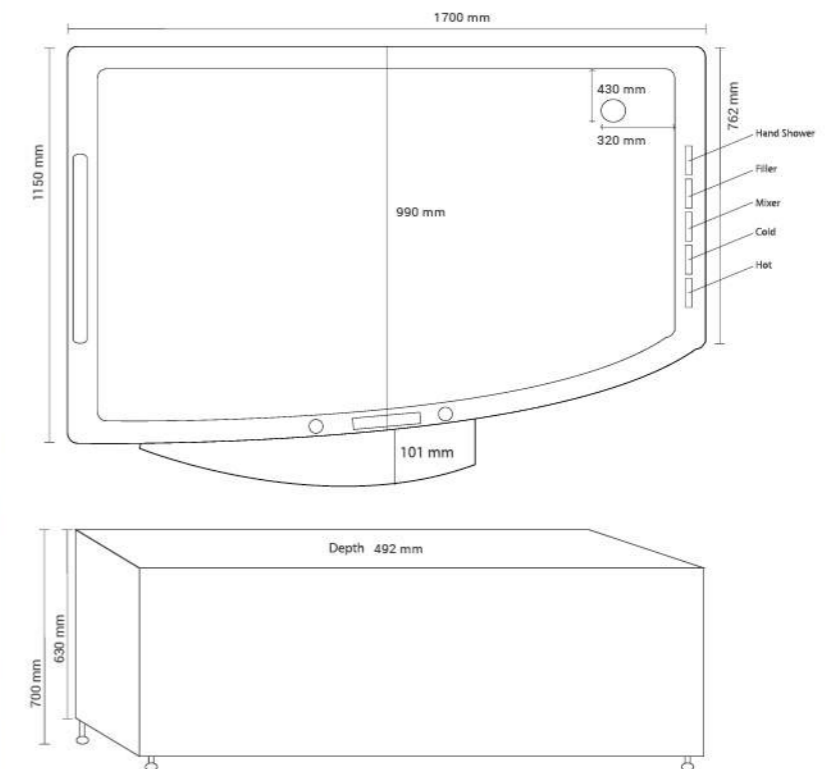
- Dry Running Protection
- Water Level Sensor
- Self Locking Protection

Optional:

- Online Heater

Highlights:

- Eight Air Therapy Jets with Chroma Light
- Six Hydro Massage Jets





Lavender

Size: 1830L X 980W X 465D X 575H (MM), Size: 1670L X 980W X 465D X 575H (MM)

Features:

- Hot & cold mixer with diverter
- Hand shower
- Diverter for hand shower & water filler
- Water drain with popup & overflow
- Designer pillow
- Touch screen control panel with remote

Safety features:

- Dry running protection
- Water level sensor
- Self locking protection

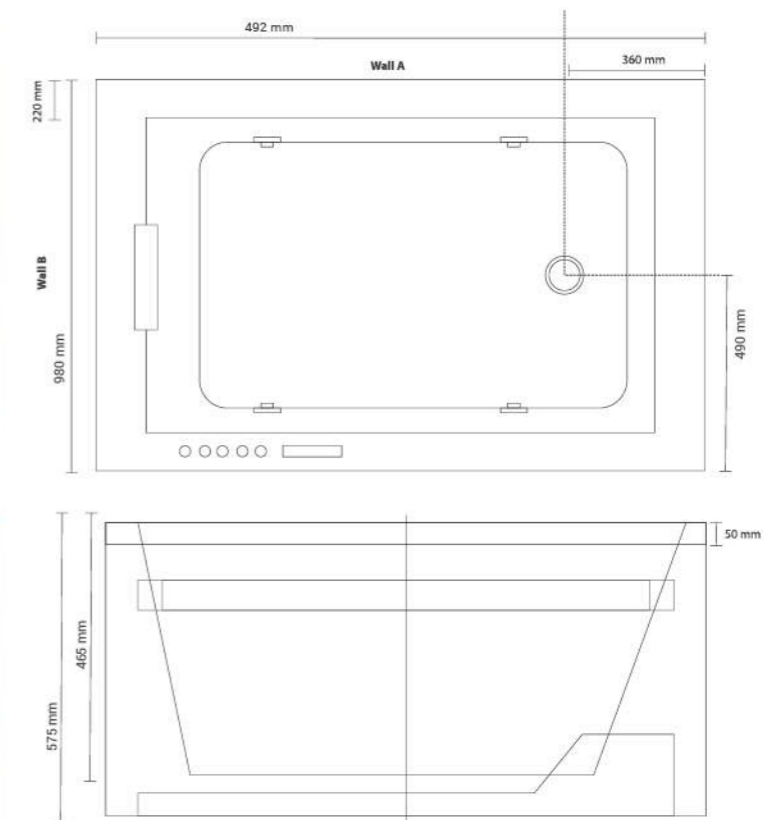
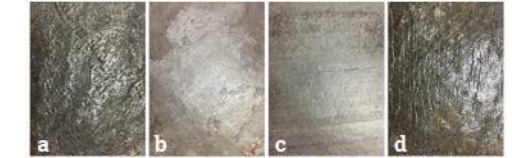
Optional:

- Online heater
- Front panel
- Side panel

Highlights:

- Neck waterfall 1 pc
- Marble table big water fall
- Led light under the waterfall
- 8 Air therapy jets with chroma light
- Five hydromassage jets
- Hydromassage pump 1hp
- Fm radio & cd signal input terminal
- 3 Spinal jets for back massage
- 1 Hp pump for water fall & neck water fall
- Setting temperature for heater 25to 45 °c
- Ozonizer o3
- Speaker

Shades





Sunstar

Size: 1830L X 910W X 465D X 595H (MM)

Features:

- Touch screen control panel with remote
- Designer bath tub pillow
- Water filler
- Hot & cold mixer with two way diverter
- Hand shower
- Water drain with popup & overflow

Safety features:

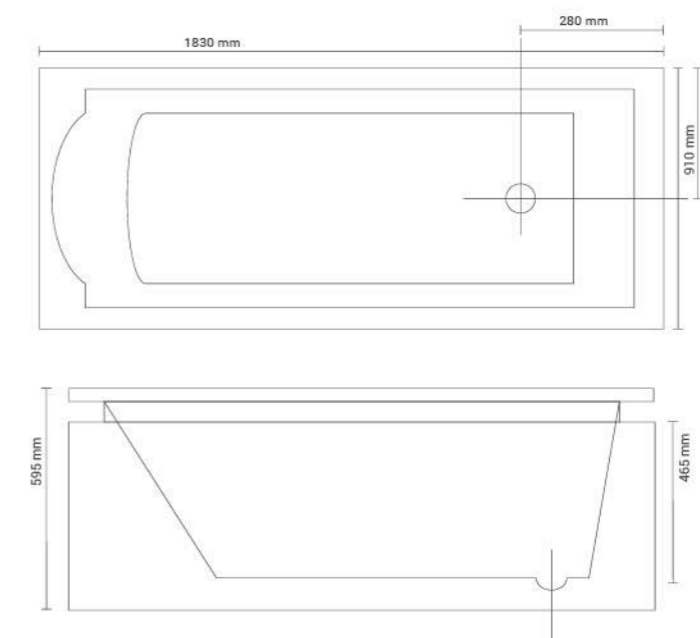
- Dry running protection
- Water level sensor
- Self locking protection

Optional:

- Online heater
- Front panel
- Side panel

Highlights:

- 2 Hp hydro massage system
- Three micro jets
- Fm radio & cd signal input terminal
- Speaker
- Ozonizer o3
- Setting temperature for heater 25 to 45°c
- 7 Big hydro massage jets
- Eight air massage system with chroma light & separate blower
- Wooden finish rim artificial





Love

Size: 1880L X 1184W X 535D X 650H (MM)

Features:

- Hot & cold mixer with diverter
- Hand shower
- Diverter for hand shower and water filler
- Water drain with popup & over flow
- Designer pillow
- Electronic control panel with remote
- Bath tub filler
- Self locking protection

Safety features:

- Water level sensor
- Dry running protection

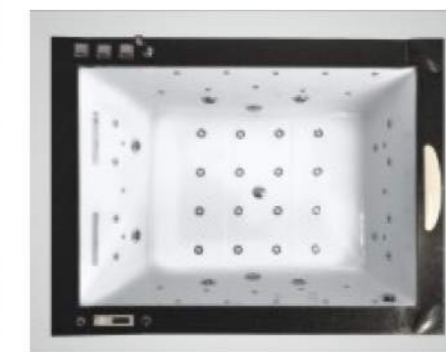
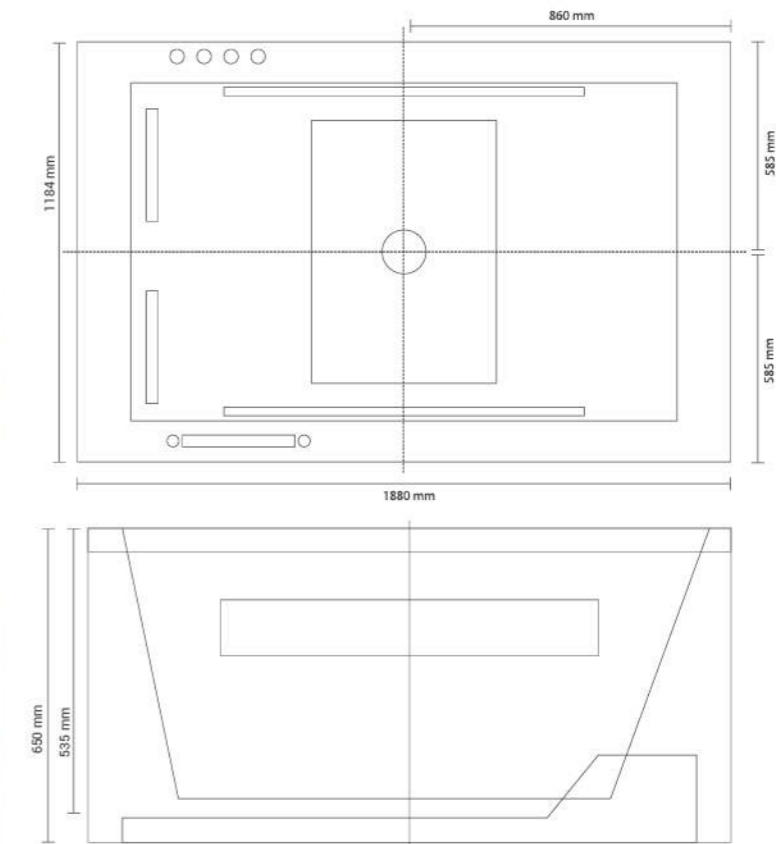
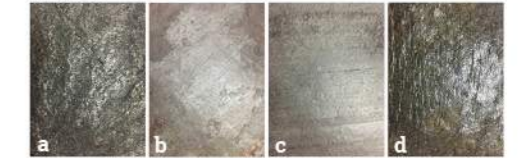
Optional:

- Online heater
- TV
- Pop-up speaker
- Front panel
- Side panel

Highlights :

- Neck waterfall 2 pcs
- Full marble top
- Chroma light under the waterfall 26 pcs
- 6 Pcs big hydro massage jets
- 16 Air therapy jets with chroma light
- Hydro massage pump 2hp
- 10 Spinal jets for back massage
- 1 Hp pump for water fall & neck water fall
- Air blower pump for air massage
- Big waterfall two side under the marble top
- Setting temperature for heater 25 to 45°C
- Fm radio with cd signal input terminal
- Speaker
- Ozonizer o3

Shades





Dream

Size: 1800L X 1200W X 462D X 625H (MM), Size: 1910L X 1210W X 462D X 625H (MM)

Features:

- Hot & cold mixer with diverter
- Water filler
- Hand shower
- Diverter for hand shower and water filler
- Water drain with popup & overflow
- Designer pillow
- Touch screen control panel with remote

Safety features:

- Dry running protection
- Water level sensor
- Self locking protection

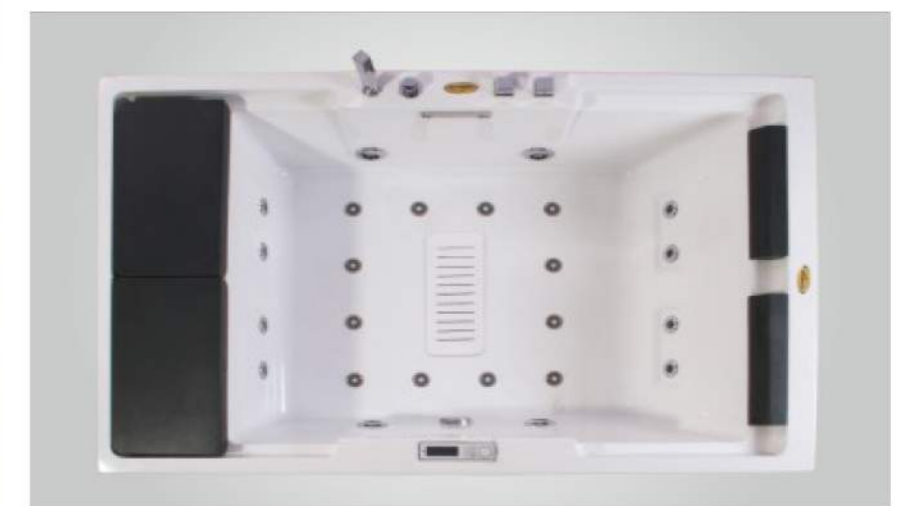
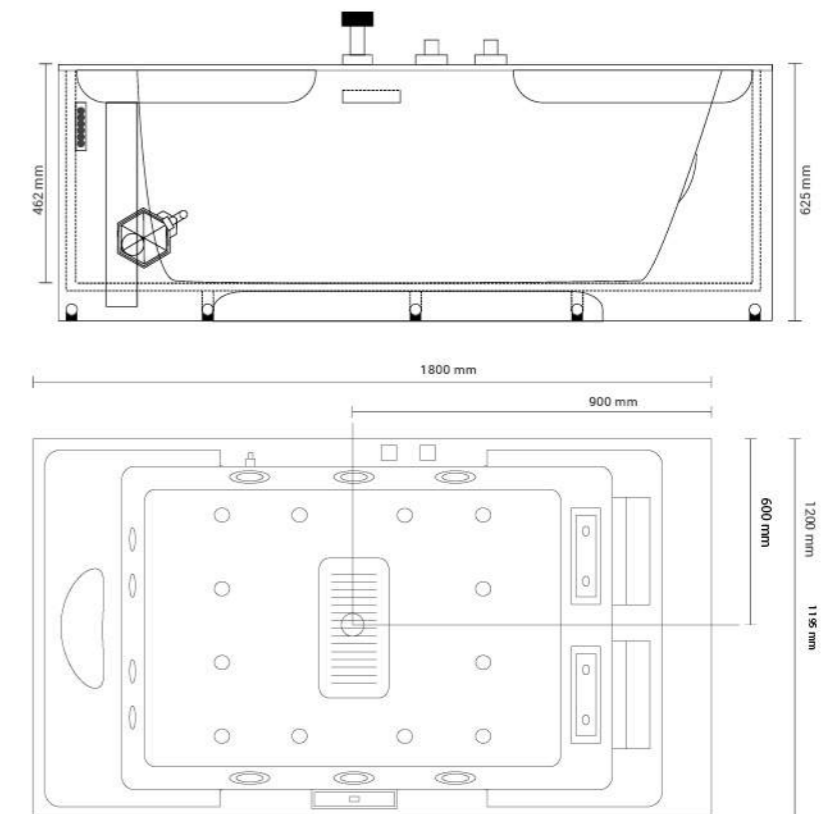
Optional:

- Online heater

- Front panel
- Side panel

Highlights:

- Pop up tv
- Cascade waterfall
- 12 Air therapy jets with chroma light with blower
- Four big hydro massage jets & 8 Medium hydro massage jets
- Hydro massage pump 2 hp
- Fm radio & cd signal input
- Ozonizer o3
- Speaker
- Setting temperature for heater 25 to 45°c
- Under water light with chroma





Endeavour

Size: 1830L X 1215W X 520D X 630H (MM)

Features:

- Touch screen control panel with remote
- Designer bath tub pillow
- Water filler
- Hot & cold mixer with two way diverter
- Hand shower
- Popup with overflow drain

Safety features:

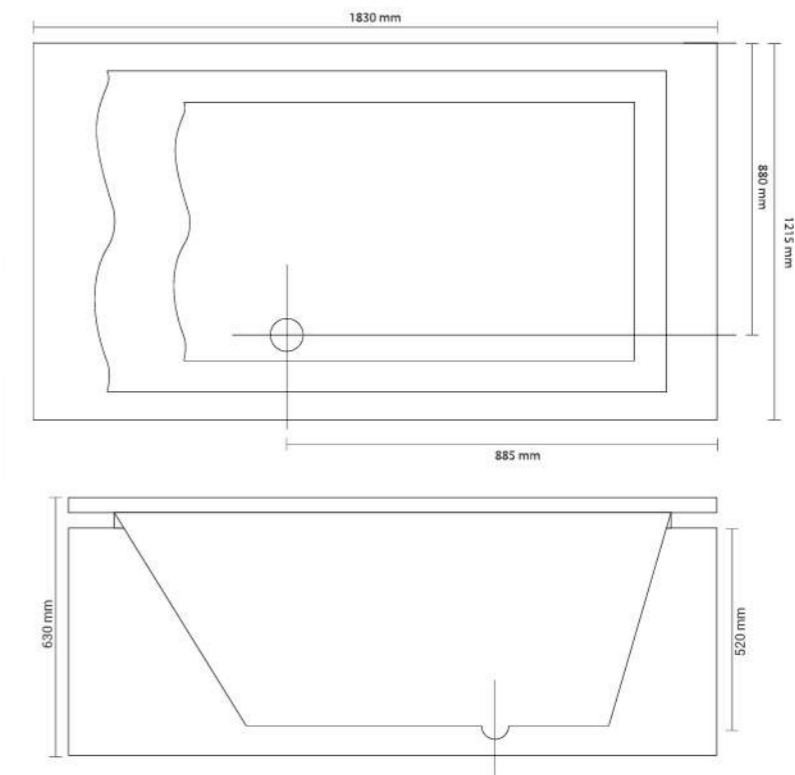
- Dry running protection
- Water level sensor
- Self locking protection

Optional:

- Online heater
- Front panel (Wooden Finish/Acrylic)
- Side panel (Wooden Finish/Acrylic)

Highlights:

- 2 Hp hydro massage pump
- 11 Micro jets for back massage
- 8 Adjustable big hydro massage jets
- Fm radio and cd signal input terminal
- Under water chroma therapy light
- Speakers
- Flow diverter to switch flow between micro jets and hydro massage jets
- 16 Air therapy jets with blower
- Setting temperature for heater 25 to 45°C
- Ozonizer o3
- Wooden finish rim artificial





Sea

Size: 1880L X 1420W X 555D X 660H (MM)

Features:

- Hot & cold mixer with diverter
- Hand shower
- Diverter for hand shower and water filler
- Water drain with popup & over flow
- Designer pillow
- Electronic control panel with remote
- Bath tub filler

Safety features:

- Water level sensor
- Dry running protection
- Self locking protection

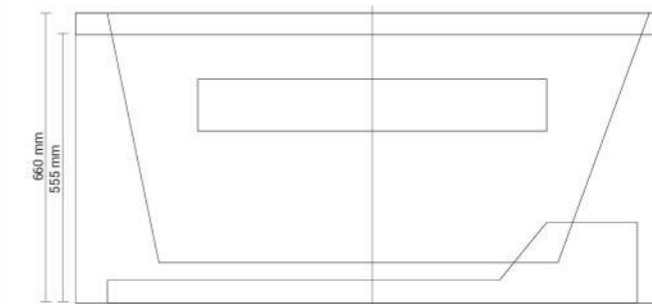
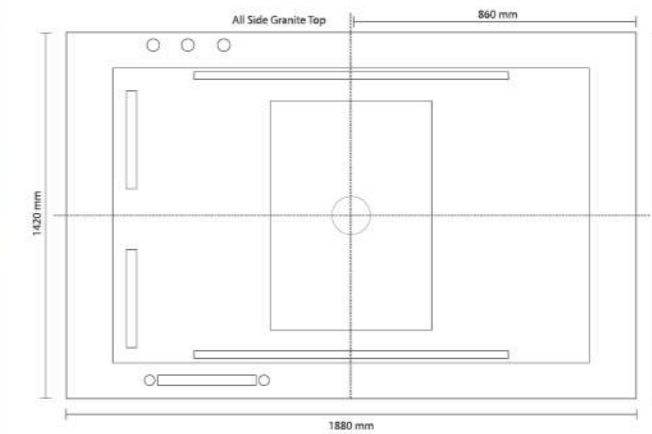
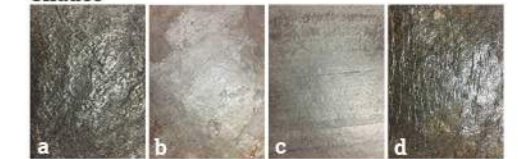
Optional:

- Online heater
- TV
- Pop-up speaker
- Front panel
- Side panel

Highlights:

- Neck waterfall 2 pcs
- Full marble top
- Chroma light under the waterfall 26 pcs
- 6 Pcs big hydro massage jets
- 16 Air therapy jets with chroma light
- Hydro massage pump 2hp
- 10 Spinal jets for back massage
- 1 Hp pump for water fall & neck water fall
- Air blower pump for air massage
- Big waterfall two side under the marble top
- Setting temperature for heater 25°C to 45°C
- Fm radio with cd signal input terminal
- Speaker
- Ozonizer o3

Shades





Rainbow

Size: 1875L X 1780W X 540D X 680H (MM)

Features:

- Hot & cold mixer with diverter
- Hand shower
- Diverter for hand shower and water filler
- Water drain with popup & overflow
- Designer pillow
- Electronic control panel with remote
- Bath tub filler
- Self locking protection

Safety features:

- Water level sensor
- Dry running protection

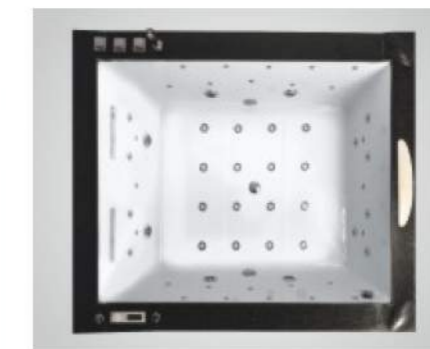
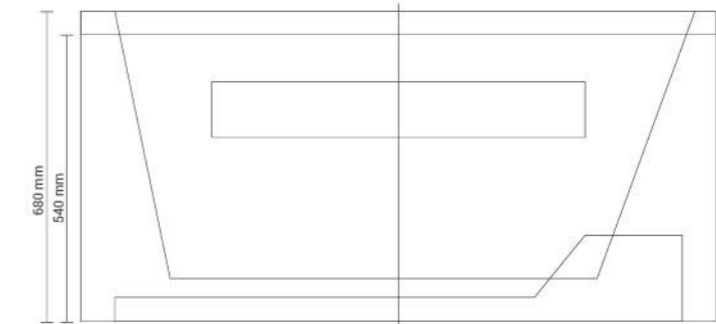
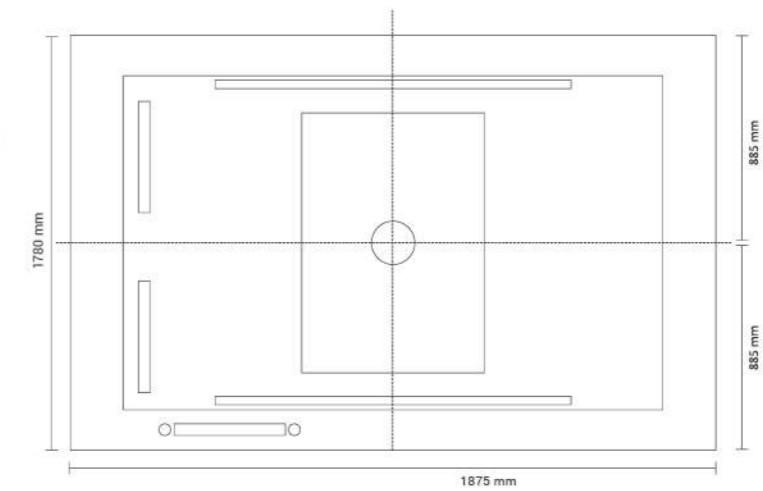
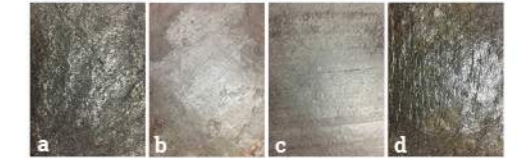
Optional:

- Online heater
- TV
- Pop-up speaker
- Front panel
- Side panel

Highlights:

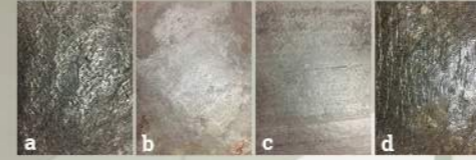
- 6 Pcs big hydro massage jets
- 16 Air therapy jets with chroma light
- Hydro massage pump 2hp
- 10 Spinal jets for back massage
- 1 Hp pump for water fall & neck water fall
- Air blower pump for air massage
- Big waterfall two side under the marble top
- Setting temperature for heater 25 to 45°C
- Fm radio with cd signal input terminal
- Speaker
- Ozonizer o3
- Neck waterfall 2 Pcs
- Full marble top
- Chroma light under the waterfall 26 Pcs

Shades





Shades



Majestic

Size: 1886L X 1485W X 600D X 700H (MM)

Features:

- Hot & cold mixer with diverter
- Hand shower
- Diverter for hand shower and water filler
- Water drain with popup & overflow
- Designer pillow
- Electronic control panel with remote

Safety features:

- Water level sensor
- Dry running protection
- Self locking protection

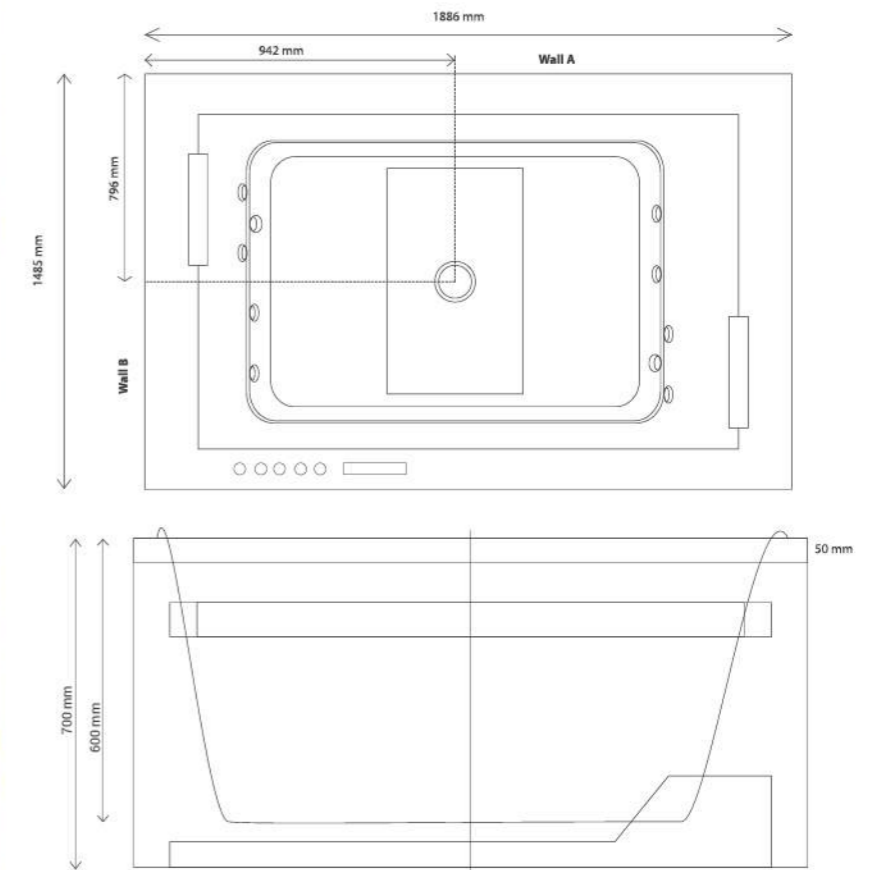
Optional:

- Online heater
- Front panel

Side panel

Highlights:

- Bathtub for 2 persons
- Neck waterfall 2 pcs
- Marble table big waterfall
- Led light under the waterfall
- 16 Air therapy jets with chroma light
- Six big hydro massage jets
- Hydro massage pump 2 hp
- Fm radio & cd signal input terminal
- 10 Spinal jets for back massage
- 1 Hp pump for water fall & neck water fall
- Setting temperature for heater 25 to 45°C
- Ozonizer o3
- Speaker





Ocean

Size: 1830L X 1525W X 500D X 620H (MM)

Features:

- Touch screen control panel with remote
- Designer bath tub pillow
- Water filler
- Hot & cold mixer with two way diverter
- Hand shower
- Popup with overflow drain

Safety features:

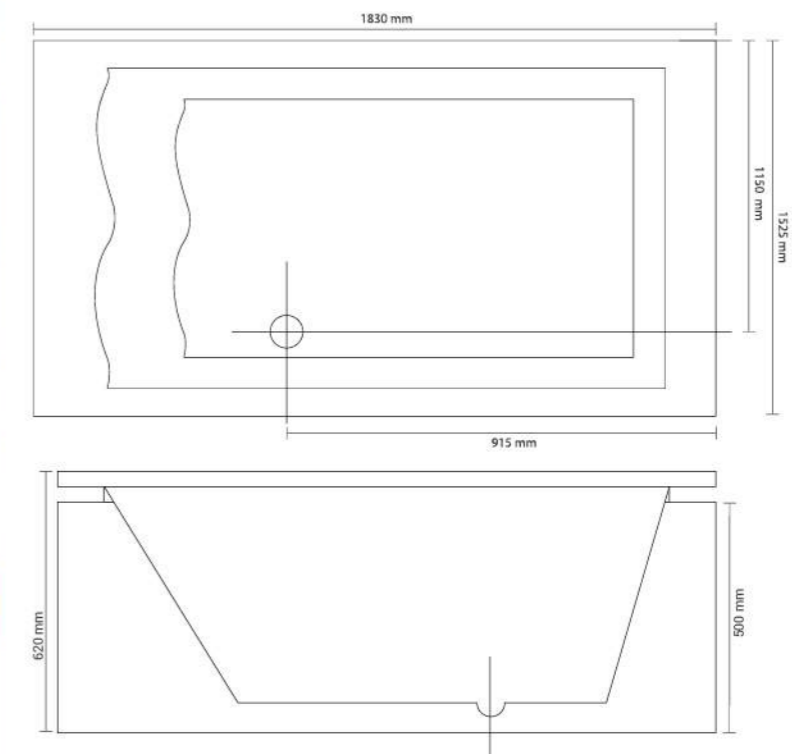
- Dry running protection
- Water level sensor
- Self locking protection

Optional:

- Online heater
- Front panel (Wooden Finish/Acrylic)
- Side panel (Wooden Finish/Acrylic)

Highlights:

- 2 Hp hydro massage pump
- 11 Micro jets for back massage
- Fm radio and cd signal input terminal
- 8 Adjustable big hydro massage jets
- Under water chroma therapy light
- Speakers
- 16 Air therapy jets with blower
- Ozonizer o3
- Setting temperature for heater 25 to 45°C
- Wooden finish rim artificial





Pond

Size: 1805L X 1805W X 555D X 665H (MM)

Features:

- Hot & cold mixer with diverter
- Water filler
- Hand shower
- Diverter for hand shower and water filler
- Water drain with popup # over flow
- Designer pillow
- Touch screen control panel with remote

Safety features:

- Dry running protection
- Water level sensor
- Self locking protection

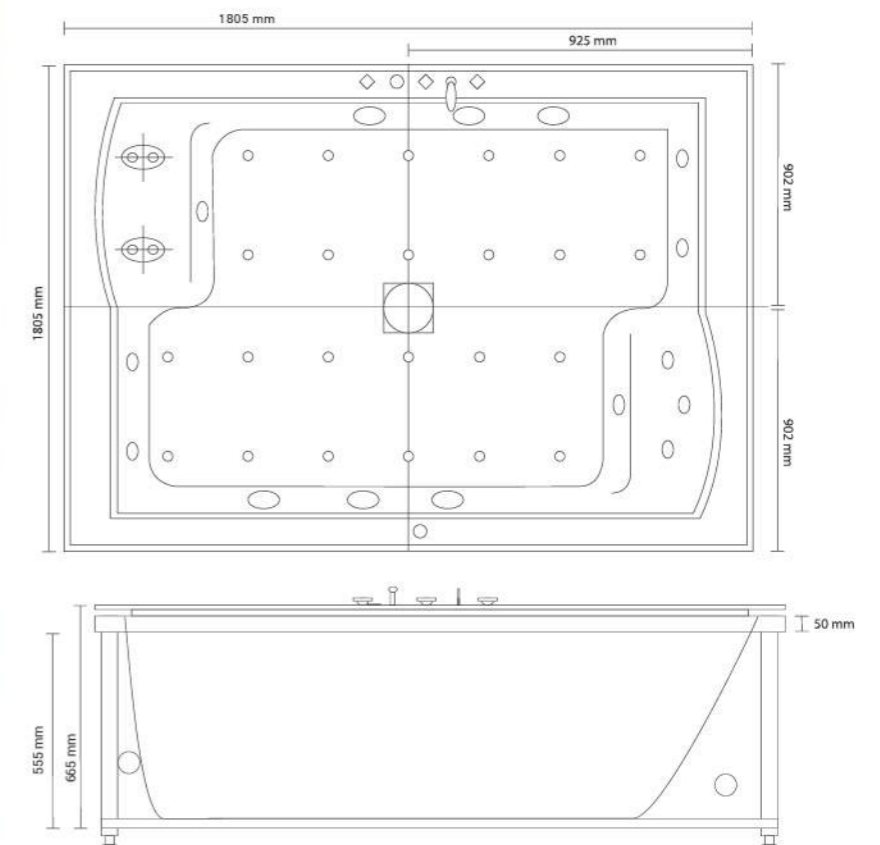
Optional:

- Online heater

- Front panel (Wooden Finish/Acrylic)
- Side panel (Wooden Finish/Acrylic)

Highlights:

- Bathtub for 2 persons
- 24 Air therapy jets with blower
- 8 Big hydro massage jets
- Hydro massage pump 2 hp
- Fm radio & cd signal input terminal
- 11 Spinal jets for back massage
- Ozonizer o3
- Speaker
- Setting temperature for heater 25 to 45°C
- Under water chroma light
- Wooden finish rim artificial





Rainfall

Size: 1900L X 1210W X 590D X 700H (MM)

Features:

- Hot & cold mixer with diverter
- Hand shower
- Diverter for hand shower and water filler
- Water drain with popup & over flow
- Designer pillow
- Electronic control panel with remote
- Bath tub filler

Safety features:

- Water level sensor
- Dry running protection
- Self locking protection

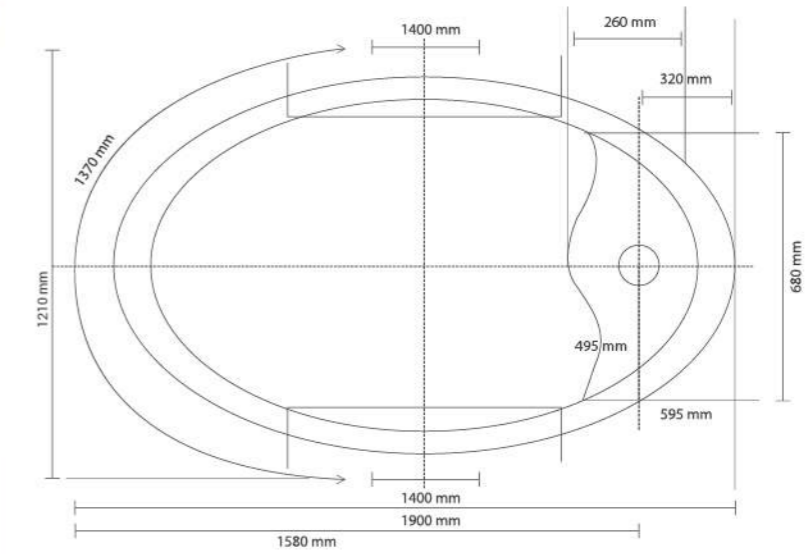
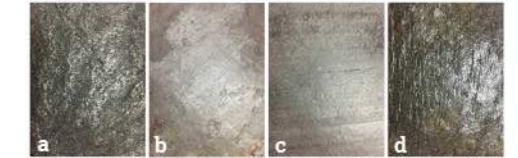
Optional:

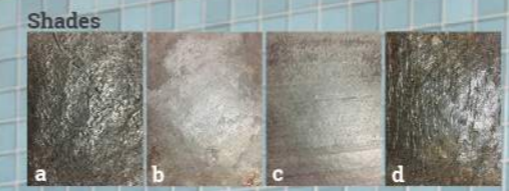
- Online heater
- TV
- Pop-up speaker
- Front panel

Highlights:

- Neck waterfall 2 pcs
- Marble top 2 pcs
- Chroma light under the waterfall 10 pcs
- 8 Pcs big hydro massage jets
- 16 Air therapy jets with chroma light
- Hydro massage pump 2hp
- 10 Spinal jets for back massage
- 1 Hp pump for water fall & neck water fall
- Air blower pump for air massage
- Big waterfall two side under the marble top
- Setting temperature for heater 25°C to 45°C
- Fm radio with cd signal input terminal
- Speaker
- Ozonizer o3

Shades





Splash

Size: 1880L X 1570W X 590D X 700H (MM)

Features :

- Hot & cold mixer with diverter
- Hand shower
- Diverter for hand shower and water filler
- Water drain with popup & over flow
- Designer pillow
- Electronic control panel with remote
- Bath tub filler

Safety features :

- Water lever sensor
- Dry running protection
- Self locking protection

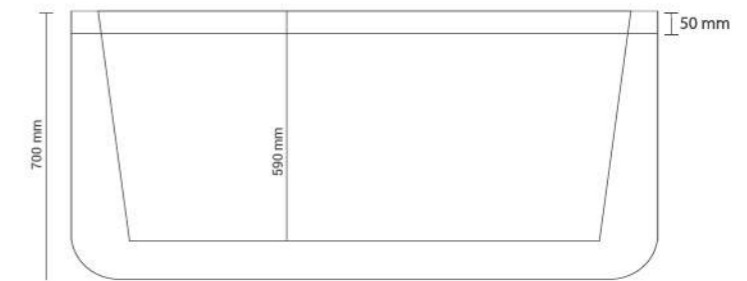
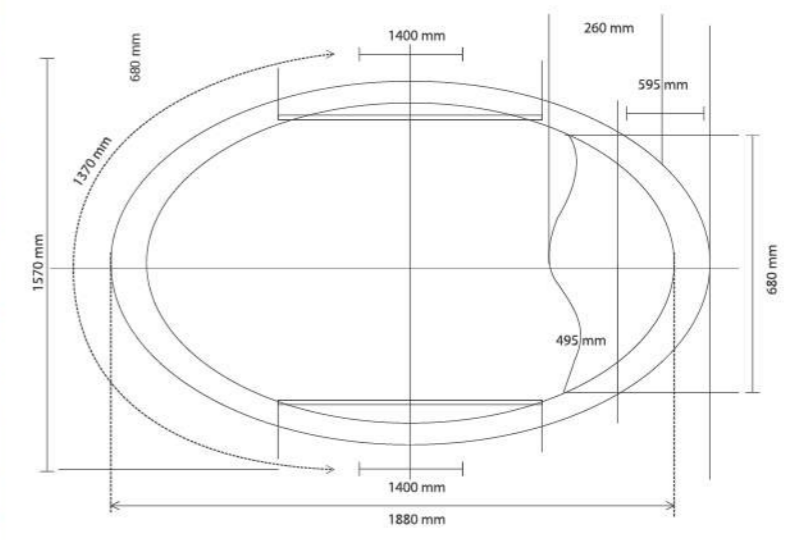
Optional :

- Online heater
- TV.
- Self locking protection

- Pop-up speaker
- Front panel

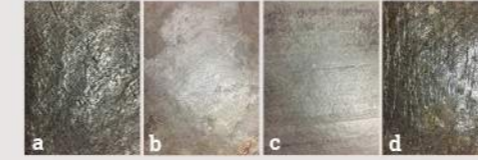
Highlights :

- Neck waterfall 2 pcs
- Marble top 2 pcs
- Chroma light under the waterfall 10 pcs
- 8 Pcs big hydro massage jets
- 16 Air therapy jets with chroma light
- Hydro massage pump 2hp
- 10 Spinal jets for back massage
- 1 Hp pump for water fall & neck water fall
- Air blower pump for air massage
- Big waterfall two side under the marble top
- Setting temperature for heater 25°C to 45°C
- Fm radio with cd signal input terminal
- Speaker
- Ozonizer o3





Shades



Explorer

Size: 1700 RADIUS X 525D X 645H (MM)

Features:

- Hot & cold mixer with diverter
- Hand shower
- Diverter for hand shower and water filler
- Water drain with popup & overflow
- Designer pillow
- Touch screen control panel with Remote

Safety features:

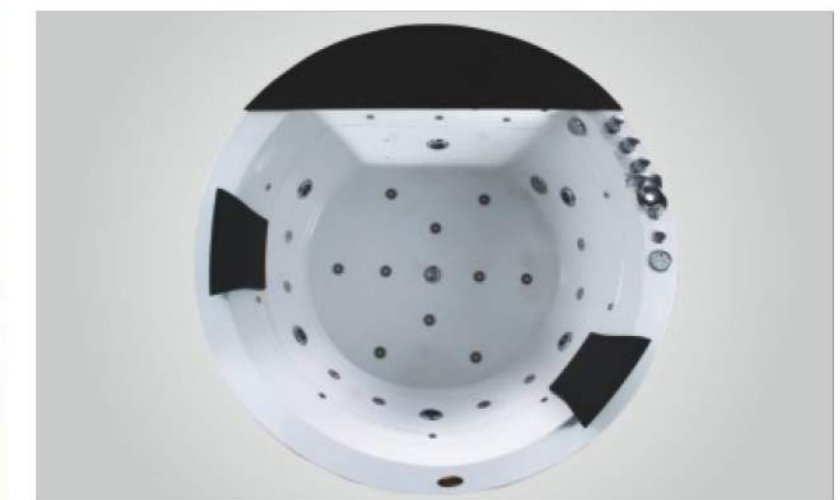
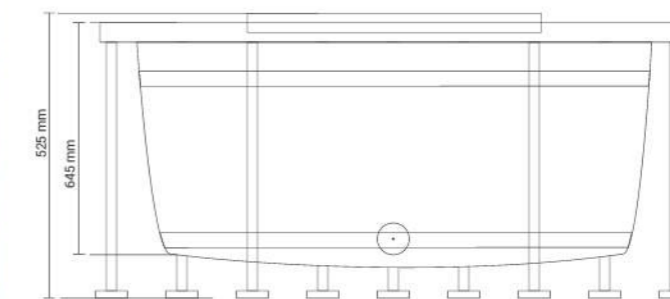
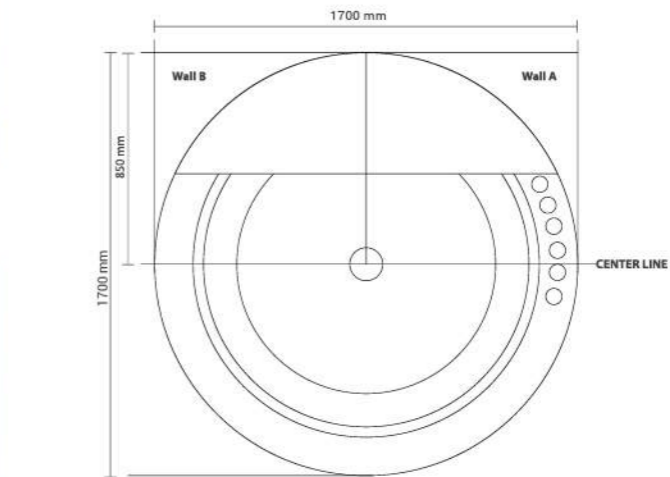
- Dry running protection
- Water level sensor
- Self locking protection

Optional:

- Online heater

Highlights:

- Bathtub for 2 persons
- Marble table
- Big water fall
- Led light under the waterfall
- 10 Air therapy jets with chroma light
- Six big hydro massage jets
- Hydro massage pump 2 hp
- Fm radio & cd signal input terminal
- Eight spinal jets for back
- Speaker
- Ozonizer o3
- Setting temperature for heater 25 to 45°C





Coral

Size: 1505 RADIUS X 450D X 580H (MM)

Features:

- Hot & cold mixer with diverter
- Hand shower
- Diverter for hand shower and water filler
- Water drain with popup & Over flow
- Designer pillow
- Electronic control panel
- Bath tub filler

Highlights:

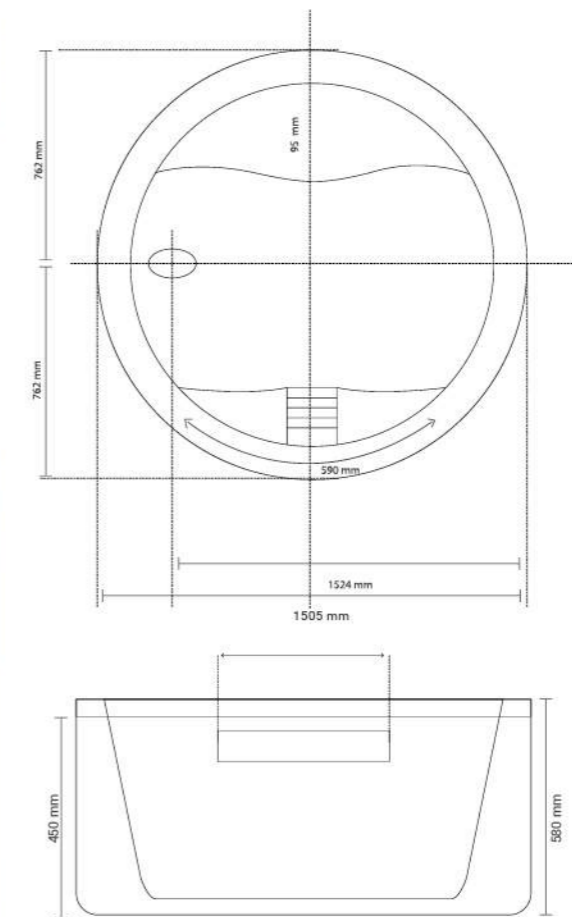
- Bathtub for 2 persons
- Six big hydro massage jets
- 8 Air therapy jets
- Hydro massage pump 2 hp
- 8 Spinal jets for back massage
- Air blower pump for air massage
- Under water light with chroma

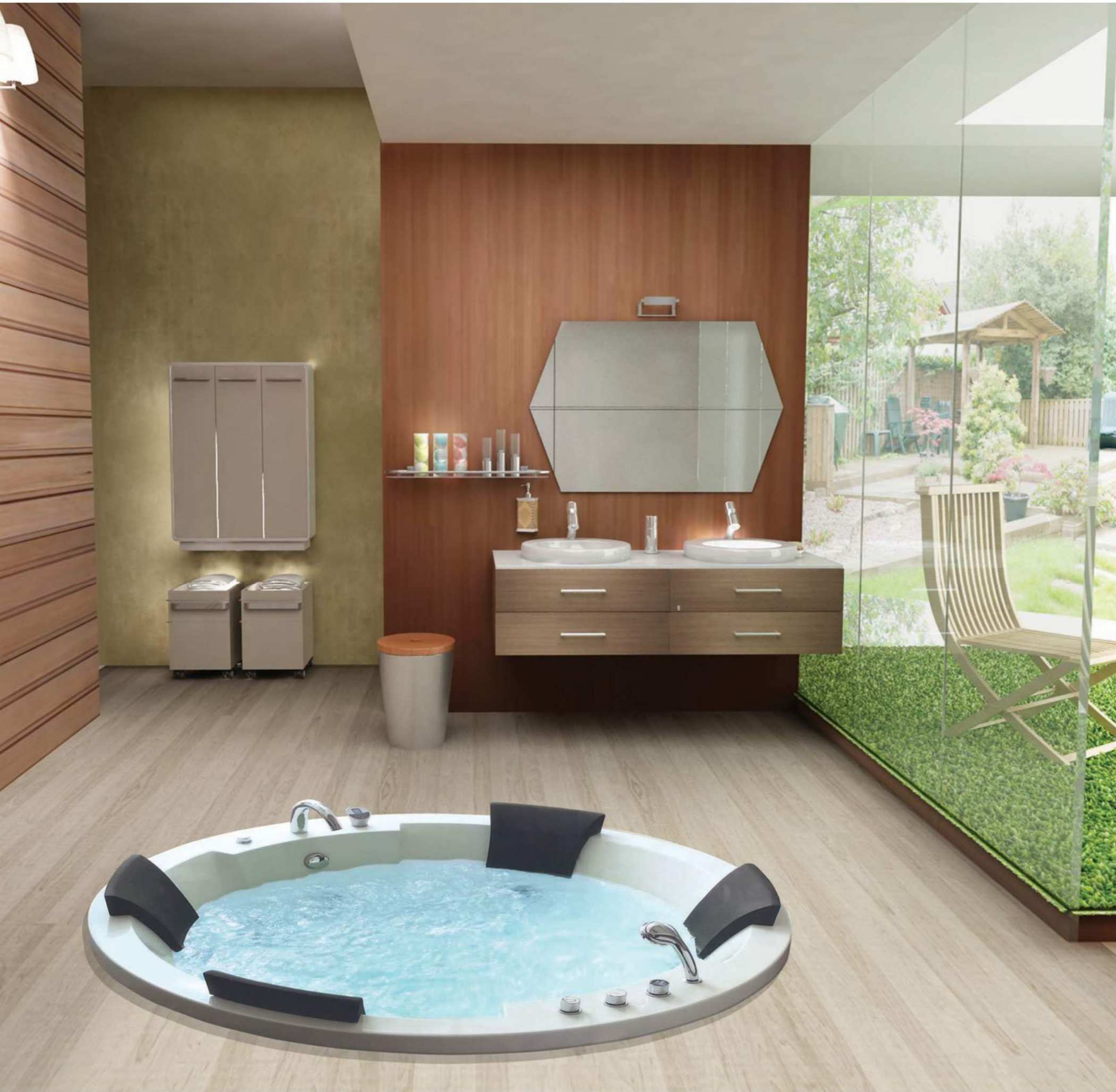
Safety features:

- Water level sensor
- Dry running protection

Optional:

- Online heater





Pearl

Size: 1820 RADIUS X 690D X 810H (MM)

Features :

- Hot & cold mixer with diverter
- Water filler
- Hand shower
- Diverter for hand shower and water filler
- Water drain with popup & overflow
- Designer pillow
- Touch screen control panel with remote

Highlights :

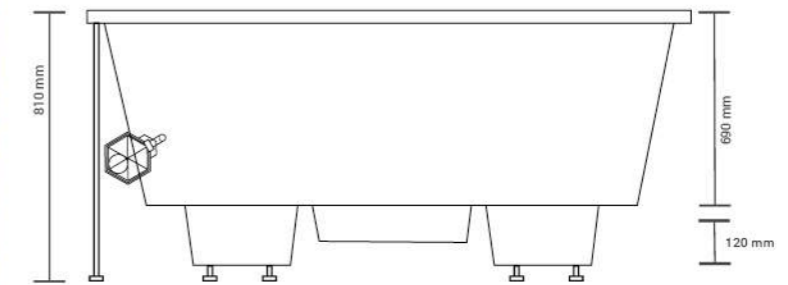
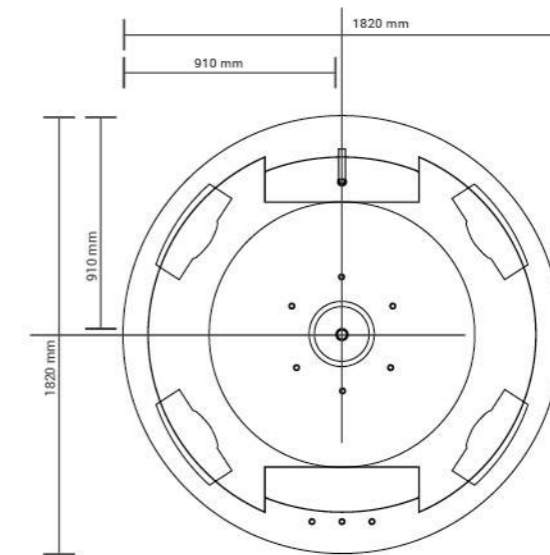
- Bathtub for 4 persons
- 10 Air therapy jets with chroma light
- Six big hydro massage jets
- Hydro massage pump 2 hp
- Fm radio & cd signal input terminal
- Setting temperature for heater 25 to 45°C
- Ozonizer o3
- Speaker

Safety features :

- Dry running protection
- Water level sensor
- Self locking protection

Optional :

- Online heater





Expression

Size: 1268L X 1268B X 445D X 555H (MM)

Features:

- Hot & cold mixer with diverter
- Hand shower
- Diverter for hand shower and water filler
- Water drain with popup & Over flow
- Designer pillow
- Electronic control panel
- Bath tub filler

Safety features:

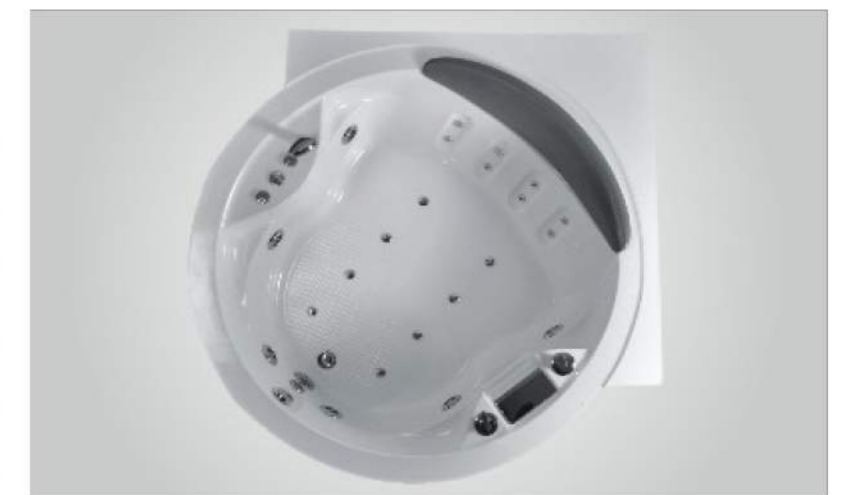
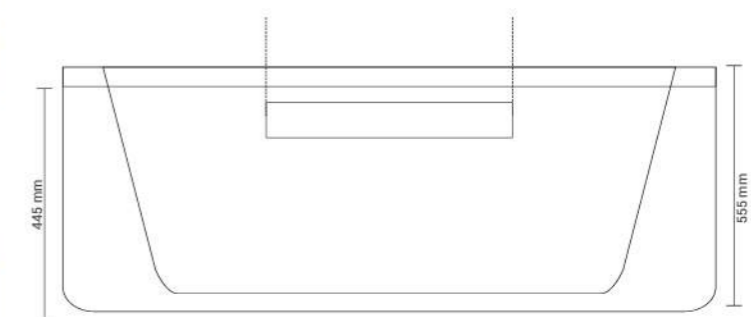
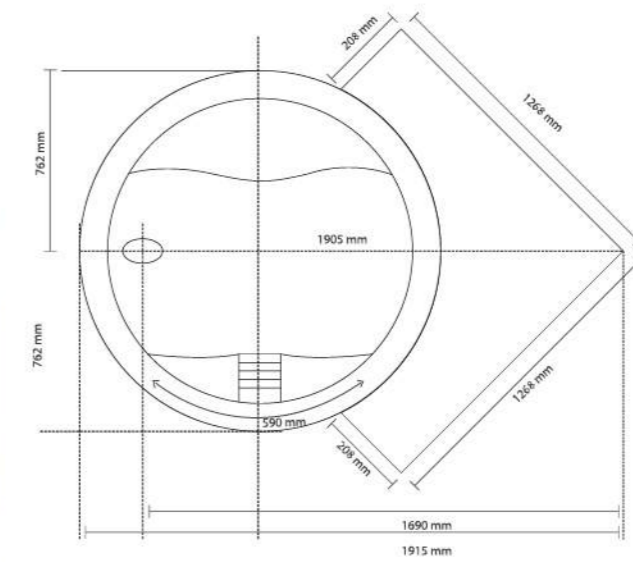
- Water lever sensor
- Dry running protection

Optional:

- Online heater

Highlights:

- Bathtub for 2 persons
- Six big hydro massage jets
- 8 Air therapy jets
- Hydro massage pump 2 hp
- 8 Spinal jets for back massage
- Air blower pump for air massage
- Under water light with chroma





Glamour

Size: 1660L X 1610B X 550D X 660H (MM)

Features:

- Electronic control panel with remote
- Water drain with popup & over flow
- Hand shower
- Hot & cold mixer with diverter
- Bath tub filler
- Flow diverter to switch flow between micro jets and hydro massage jets
- Designer pillow 2 pcs

Safety features:

- Water lever sensor
- Dry running protection
- Self locking protection

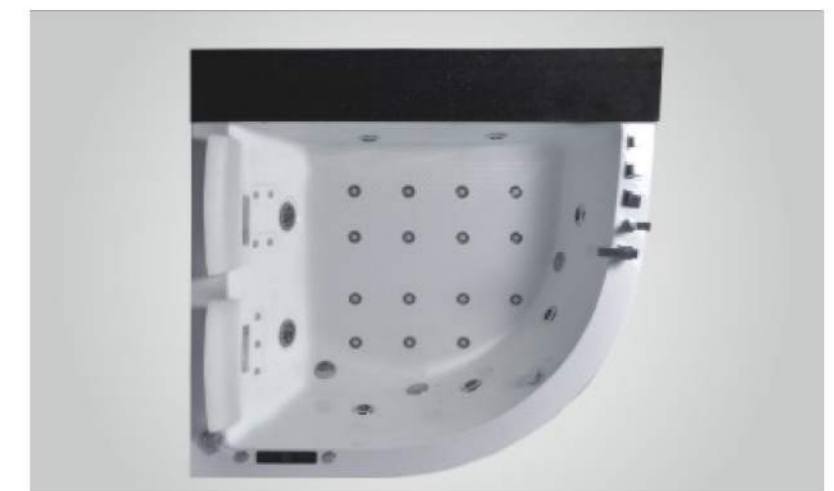
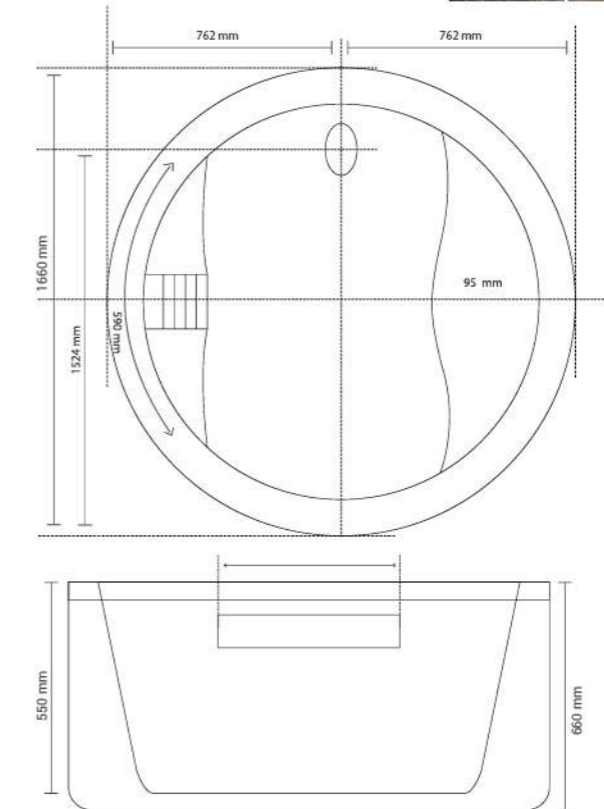
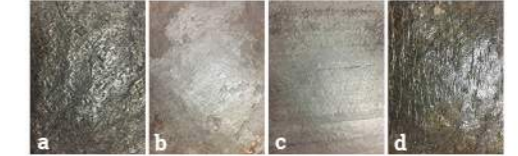
Optional:

- Online heater

Highlights:

- 2 Hp pump for jacuzzi
- 1 Hp pump for waterfall & neck waterfall
- Air blower pump for air massage
- Chroma light 6 pcs under the waterfall
- Air massage jet with chroma light 15 pcs
- Big hydro massage jets 6 pcs
- Back jets 7 pcs
- Neck fall 2 pcs
- Marble top 1 pc
- Big waterfall under the Marble top 1 pc
- Fm radio & cd signal input terminal
- Speaker
- Ozonizer o3

Shades





Perfect

Size: 1535L X 1535W X 488D X 597H (MM)

Features:

- Touch screen control panel with remote
- Designer bath tub pillow
- Water filler
- Hot & cold mixer with two way diverter
- Hand shower
- Pop up for drain with overflow

Safety features:

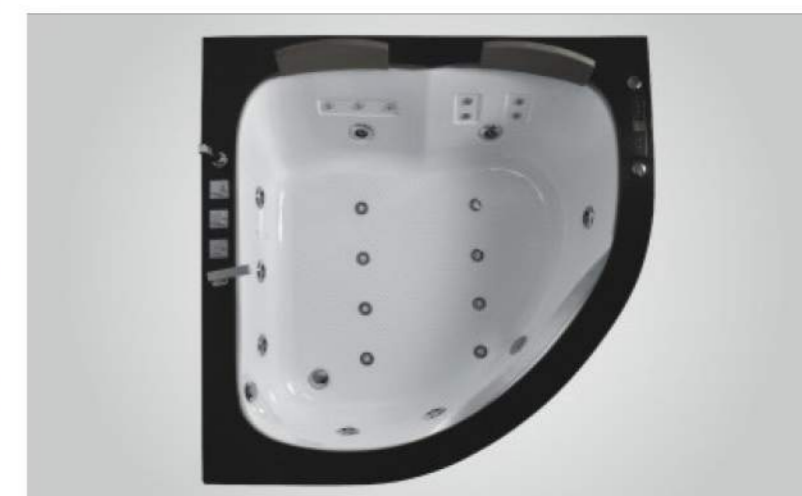
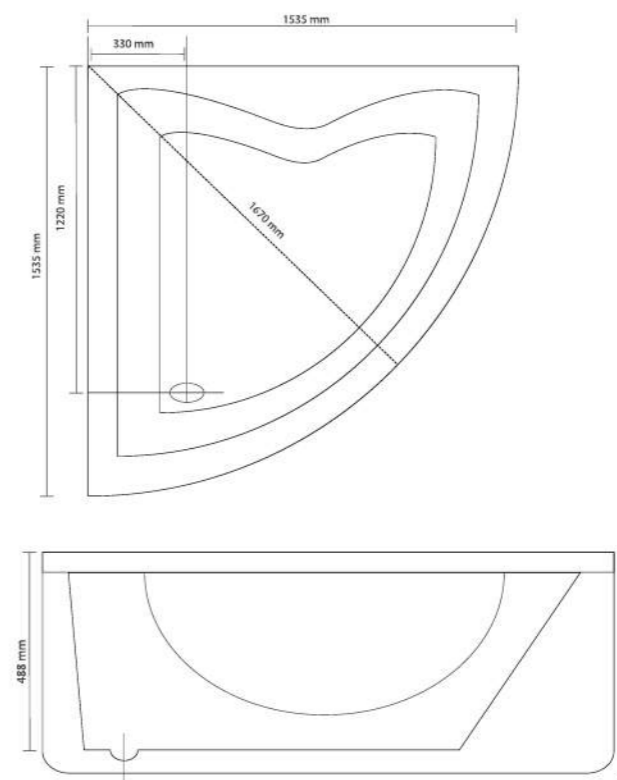
- Dry running protection
- Water level sensor
- Self locking protection

Optional:

- Online heater

Highlights:

- 2 Hp hydro massage pump
- Under water light with chroma
- Speakers
- Flow diverter to switch flow between micro jet and hydro massage jet
- 8 Air therapy jets
- Ozonizer o3
- 7 Micro jets for back massage
- 8 Adjustable big hydro massage jets
- Fm radio and cd signal input terminal
- Setting temperature for heater 25 to 45°c
- Wooden finish rim artificial





Diamond

Size: 2115L X 1760W X 690D X 790H (MM)

Features:

- Hot & cold mixer with diverter
- Water filler
- Hand shower
- Diverter for hand shower
- And water filler
- Water drain with popup & overflow
- Designer pillow
- Touch screen control panel with remote

Highlights:

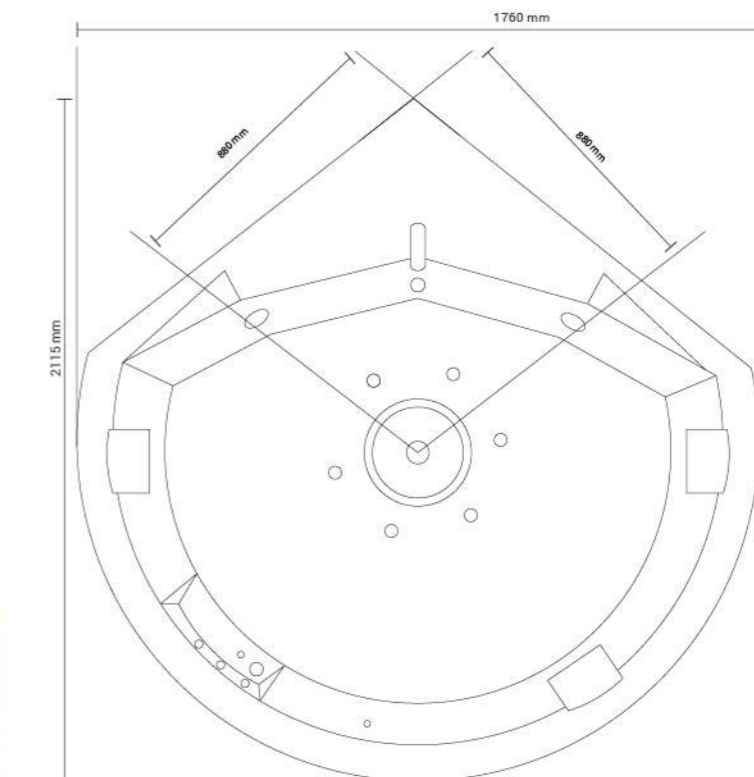
- Bathtub for 2 persons
- 10 Air therapy jets with chroma light
- 6 Big hydro massage jets
- Hydro massage pump 2 hp
- Fm radio & cd signal input terminal
- Speaker
- Ozonizer o3
- Setting temperature for heater 25 to 45°C

Safety features:

- Dry running protection
- Water level sensor
- Self locking protection

Optional:

- Online heater





Amazon

Size: 1830L X 915W X 485D X 575H (MM)

Features:

- Hot & cold mixer with diverter
- Water filler
- Hand shower
- Diverter for hand shower and water filler
- Water drain with popup & overflow
- Designer pillow
- Touch screen control panel with remote
- Front and side panel

Safety features:

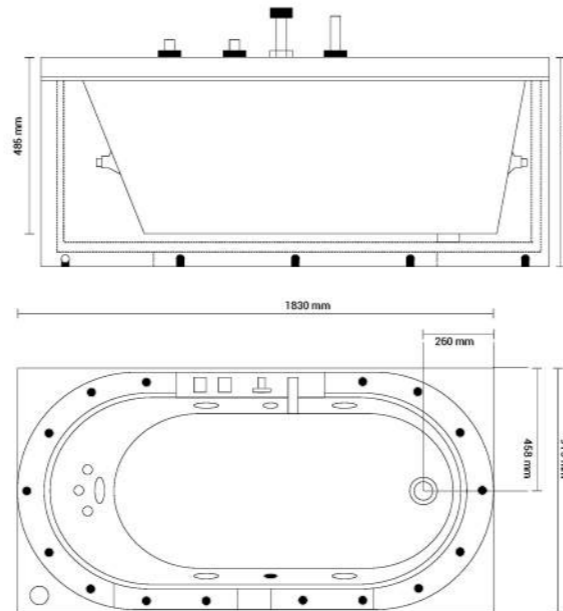
- Dry running protection
- Water level sensor
- Self locking protection

Optional:

- Online heater

Highlights:

- Overflow return slot with led light
- 8 Air therapy jets with chroma light & blower
- 7 Big hydro massage jets
- Hydro massage pump 2 hp
- Ozonizer o3
- Fm radio with cd signal input terminal
- Speaker
- 3 Spinal jets for back massage
- Setting temperature for heater 25 to 45°C



Shine

Size: 1830L X 915W X 485D X 585H (MM)

Features:

- Hot & cold mixer with diverter
- Water filler
- Hand shower
- Diverter for hand shower and water filler
- Water drain with popup & overflow
- Designer pillow
- Touch screen control panel with remote

Safety features:

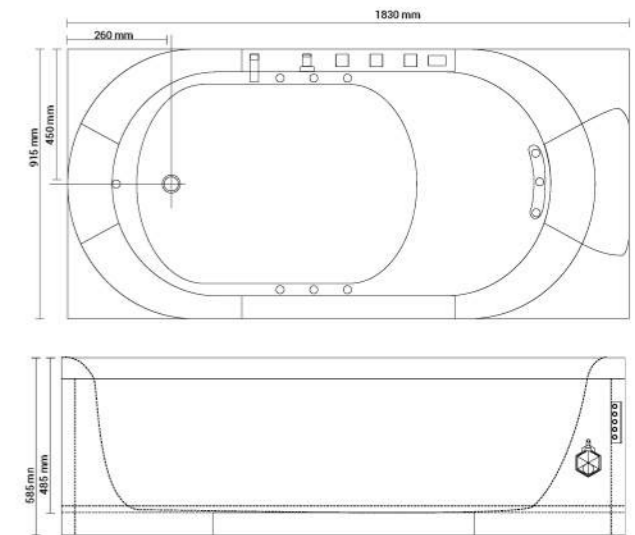
- Dry running protection
- Water level sensor
- Self locking protection

Optional:

- Online heater

Highlights :

- Soft designer rim
- Eight air therapy jets with chroma light
- Three spinal jets for back massage
- Seven big hydro massage jets
- Hydro massage pump 2hp
- Fm radio with cd signal input terminal
- Speaker
- Ozonizer o3
- Setting temperature for heater 25 to 45°C





Swift

Size: 1626L X 826W X 525D X 645H (MM)

Features :

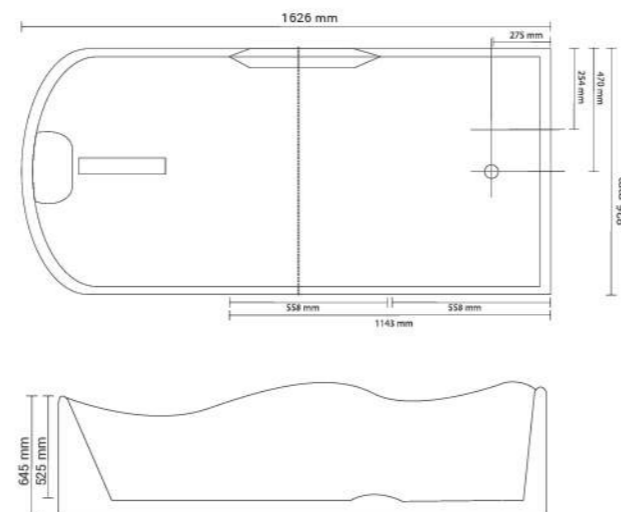
- 6 Big hydro massage jets
- 6 Micro jets for back massage
- 2 Hp hydro massage pump
- Hand shower
- Hot & cold mixer with diverter
- Water filler
- Electronic control panel
- Designer pillow
- Chroma light
- Popup waste for drain

Optional :

- 8 Air therapy jets with blower
- Online heater

Safety features :

- Dry running protection and water level sensor



Appeal

A) Size: 1820L X 914W X 470D X 572H (MM)

B) Size: 1524L X 914W X 470D X 572H (MM)

C) Size: 1830L X 1042W X 483D X 572H (MM)

D) Size: 1473L X 1220W X 445D X 545H (MM)

Features :

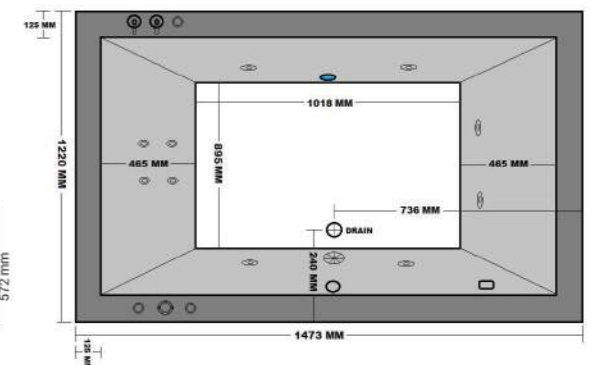
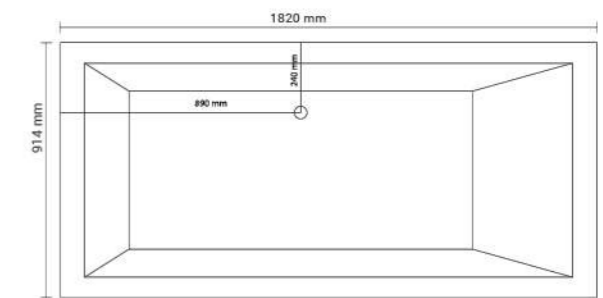
- 6 Hydro massage jets
- 4 Micro jets for back
- Under water light with chroma
- 2 Hp hydro massage pump
- Designer pillow
- Popup waste with overflow for drain
- Hot & cold mixer and diverter
- Hand shower
- Water filler
- Electronic control panel

Safety features :

- Dry running protection and water level sensor

Optional :

- 8 Air therapy jets with blower
- Online heater





Grace

Size: 1689L X 745W X 405D X 540H (MM)

Features:

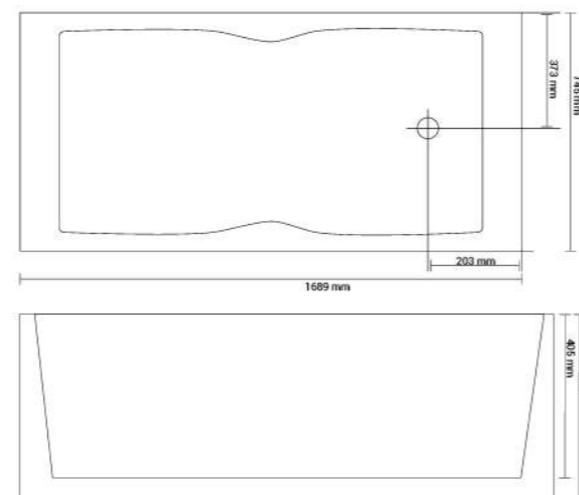
- 6 Hydro massage jets
- 2 Micro jets for back
- 1 Hp jacuzzi
- Water filler and hand shower
- Electronic control panel
- Popup waste with overflow for drain
- Hot & cold mixer with diverter

Safety features:

- Dry running protection and water level sensor

Optional:

- 8 Air therapy jets with blower
- Online heater



Desire

Size: 1676L X 762W X 442D X 550H (MM)

Size: 1524L X 762W X 442D X 550H (MM)

Features:

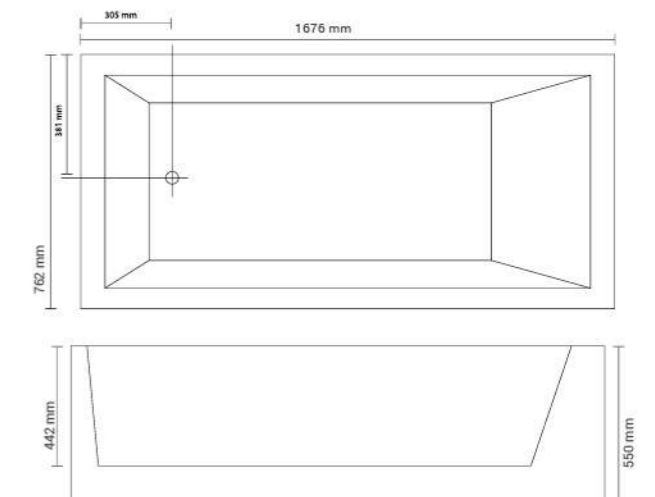
- 4 Micro jets for back
- 6 Hydro massage jets
- Under water chroma light
- 2 Hp hydro massage pump
- Designer pillow
- Hot & cold mixer and diverter
- Hand shower
- Electronic control panel
- Popup for drain with overflow for drain
- Water filler

Safety features:

- Dry running protection and water level sensor

Optional:

- 8 Air therapy jets with blower
- Online heater





Beauty

Size: 1689L X 795W X 420D X 520H (MM)

Features :

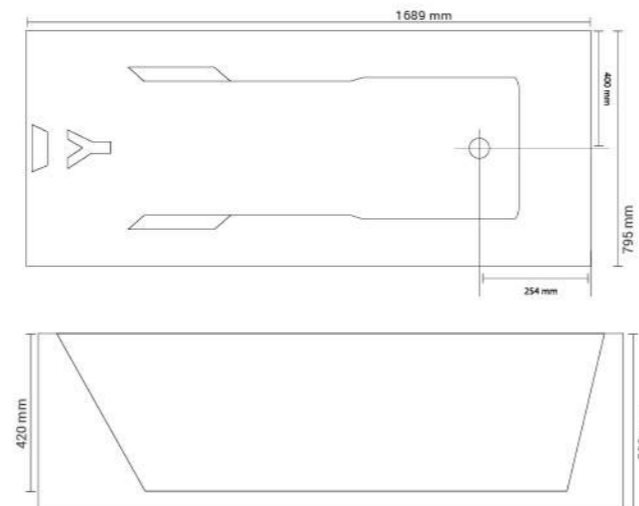
- 5 Spine relieving hydro massage jets
- 6 Hydrotherapy massage jets powered by koller pump of 2 hp
- Bathtub filler with multi flow hand shower
- Feather touch control panel
- Single liver hot and cold mixer with diverter
- Designer head rest
- Under water chroma light
- Pop up waste with overflow

Safety features :

- Dry running protection and water level sensor

Optional :

- 8 Air therapy jets with blower
- Online heater



Ideal

Size: 1830L X 914W X 465D X 565H (MM)

Features :

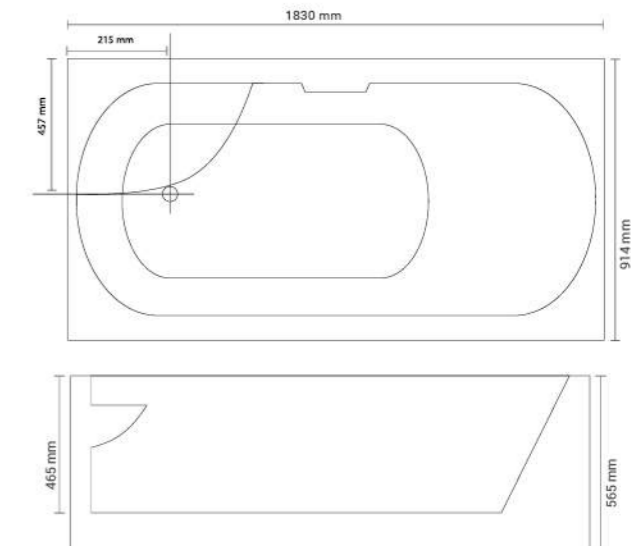
- 7 Spine relieving hydro massage jets
- 6 Hydrotherapy massage jets powered by koller pump of 2 hp
- Bathtub filler with multi flow hand shower
- Feather touch control panel
- Single liver hot and cold mixER with diverter
- Designer head rest
- Under water chroma light
- Pop up waste with overflow

Safety features :

- Dry running protection and water level sensor

Optional :

- 8 Air therapy jets with blower
- Online heater





Ecstasy

Size: 1788L X 899W X 457D X 557H (MM)

Features:

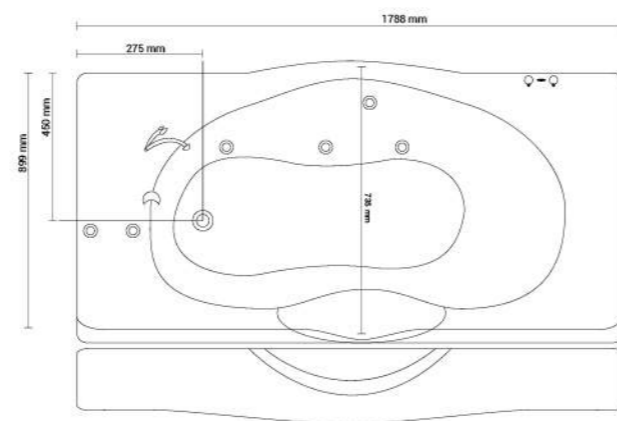
- 4 Spine relieving hydro massage jets for greatest pleasure
- 6 Hydrotherapy massage jets for complete relaxation
- Head rest for ease and comfort
- Fitted with pleasing light, water filler and hot and cold mixer
- Fitted with 2 hp energy saver pump
- Feather touch operation for pump and light
- Popup for drain with overflow
- Hand shower

Safety features:

- Water level sensor and dry Running protection

Optional:

- 8 Air therapy jets with blower
- Online heater



Alpha

Size: 1829L X 914W X 445D X 545H (MM)

Features:

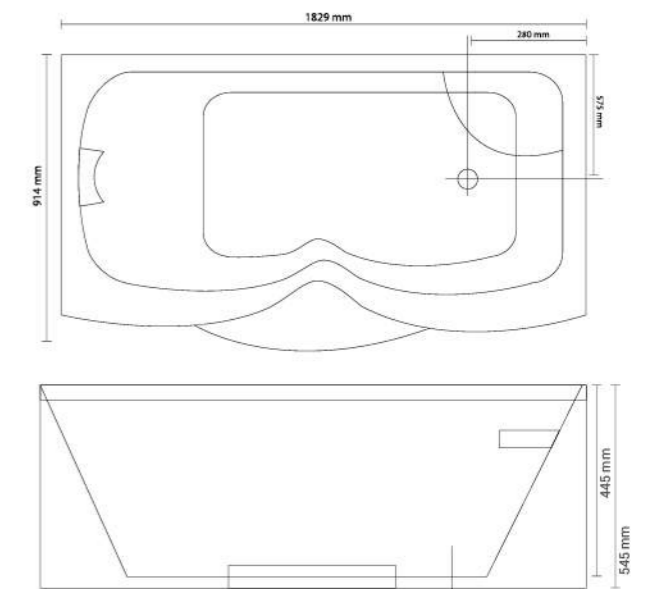
- 6 Hydro massage jets
- 5 Micro massage jets for back massage
- Neck rest
- Popup waste with overflow for drain
- 2 Hp hydro massage pump
- Under water chroma therapy light
- Designer water filler
- Hot & cold single lever mixer
- Hand shower with multiple flows
- Electronic control panel

Safety features:

- Dry running protection
- Water level sensor

Optional:

- 8 Air therapy jets with blower
- Online heater





Smart

Size: 1830L X 1067W X 460D X 560H (MM)

Features:

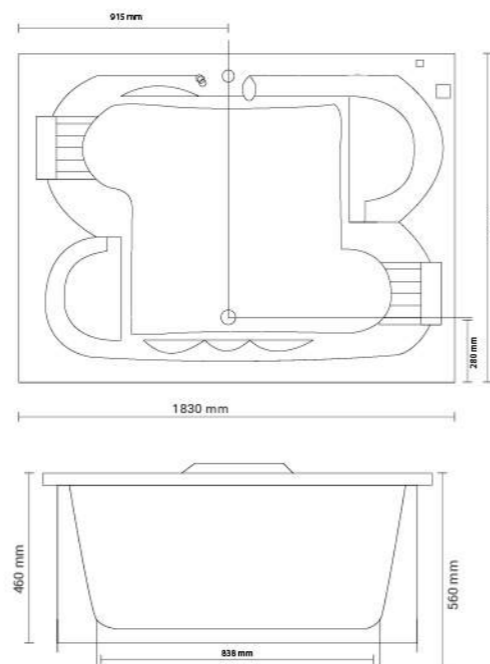
- 6 Hydro massage jets
- 8 Micro jets for back
- Under water chroma light
- 2 Hp hydro massage pump
- Designer pillow
- Hot & cold mixture and divertor
- Hand shower
- Electronic control panel
- Popup waste with overflow for drain
- Water filler

Optional:

- 8 Air therapy jets with blower
- Online heater

Safety features:

- Dry running protection and water level sensor



Attraction

Size: 1830L X 1189W X 445D X 560H (MM)

Features:

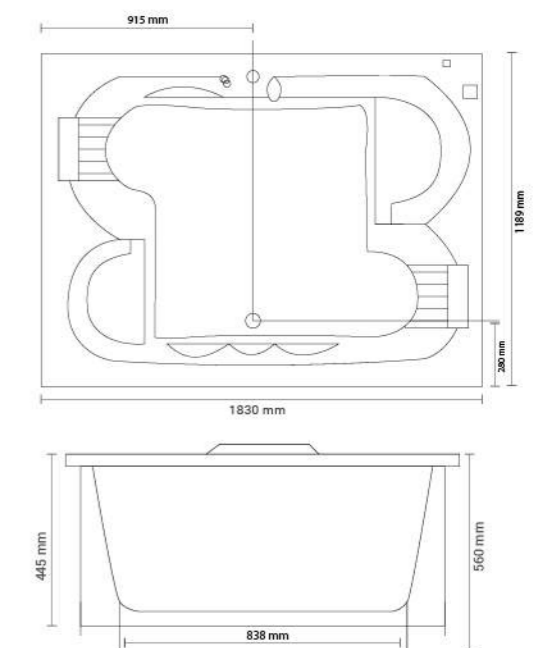
- 6 Hydro massage jets
- 8 Micro jets for back massage
- Under water light with chroma
- 2 Hp hydro massage pump
- Designer pillow
- Hot & cold mixer and divertor
- Hand shower
- Water filler
- Popup waste with overflow for drain
- Electronic control panel

Optional:

- 8 Air therapy jets with blower
- Online heater

Safety features:

- Dry running protection and water level sensor





Saffi

Size: 1828L X 1219W X 434D X 574H (MM)

Features:

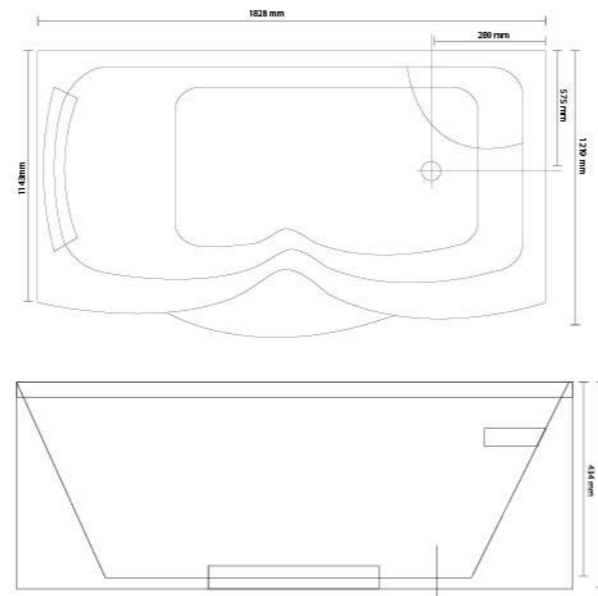
- 8 Hydro massage jets
- 10 Micro jets for back massage
- Hot & cold single lever mixer
- Popup waste with overflow for drain
- 2 Hp hydro massage pump
- Hand shower with multiple flows
- Under water chroma therapy light
- Designer water filler
- Flow diverter to switch flow between micro jet & hydro massage jet
- Big neck rest
- Electronic control panel

Safety features:

- Dry running protection
- Water level sensor

Optional:

- 8 Air therapy jets with blower
- Online heater



Lord

Size: 1830L X 1525W X 490D X 625H (MM)

Features:

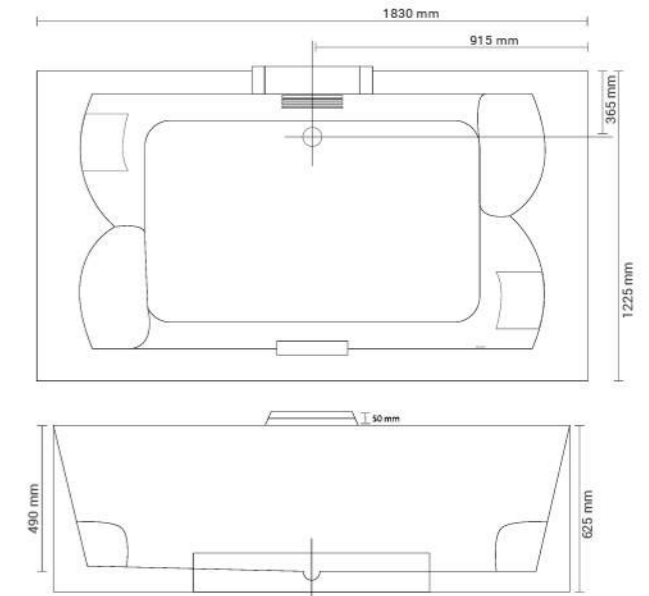
- Electronic control panel
- 2 Hp hydro massage system
- 10 Micro jets for back massage
- 6 Adjustable hydro massage jets
- Designer bath tub pillow
- In-built water filler
- Hot & cold single lever mixer
- Two hand shower with multiple flows with individual control
- Popup with overflow for drain
- Under water chroma therapy light
- Flow diverter to switch flow between micro jet & hydro massage jet

Safety features:

- Dry running protection
- Water level sensor

Optional:

- 8 Air therapy jets with blower
- Online heater





Eden

Size: 1670L X 1670W X 460D X 560H (MM)

Features:

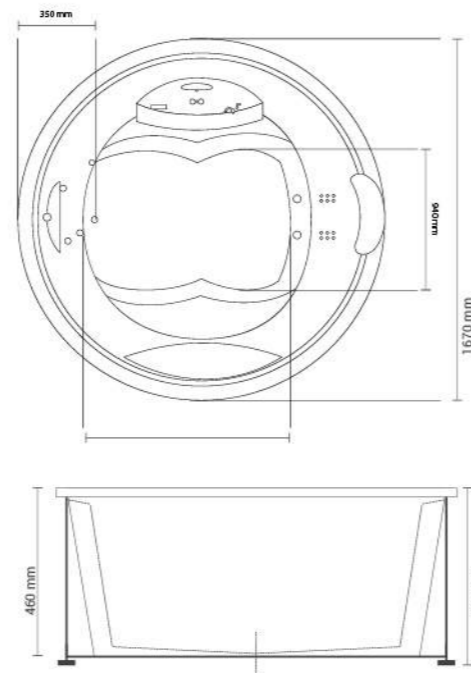
- 12 Spine relieving hydro massage jets for greatest pleasure
- 8 Hydrotherapy massage jets for complete relaxation
- Big head rest for ease and comfort
- Fitted with pleasing light, water filler and hot & cold mixer
- Fitted with 2 hp energy saver pump
- Feather touch operation for pump and light
- Flow diverter to switch flow between micro jets and hydro massage jets
- Hand shower with adjustable sprays
- Popup for drain with overflow for drain

Safety features:

- Water level sensor and dry running protection

Optional:

- 8 Air therapy jets with blower
- Online heater



Spacial

Size: 1326L X 1326W X 430D X 523H(MM)

Features:

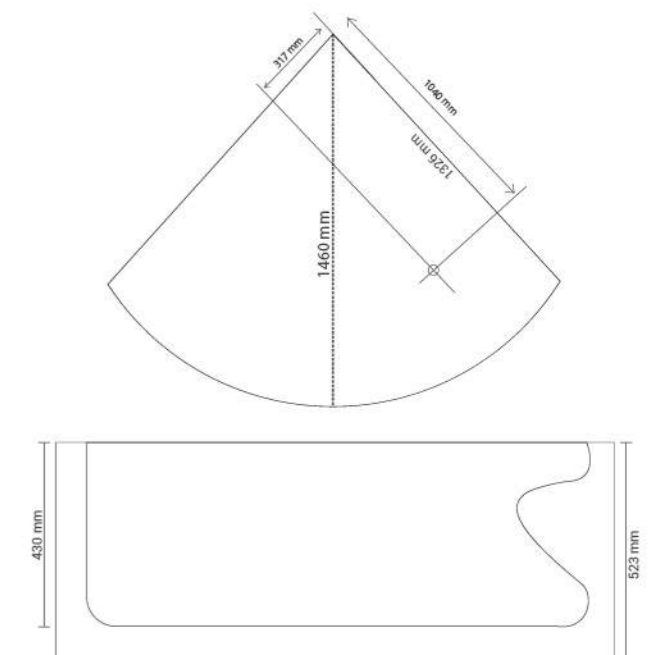
- 4 Spine relieving hydro massage jets for greatest pleasure
- 6 Hydrotherapy massage jets for complete relaxation
- Head rest for ease and comfort
- Hand shower with adjustable sprays
- Fitted with pleasing light, water filler and hot & cold mixer
- Fitted with 2hp energy saver pump
- Feather touch operation for pump & light
- Popup for drain with overflow for drain

Safety features:

- Water lever sensor
- Dry running protection

Optional:

- Online heater
- 8 Air therapy jets with blower





Bold

Size: 1830L X 1215W X 440D X 550H (MM)

Features:

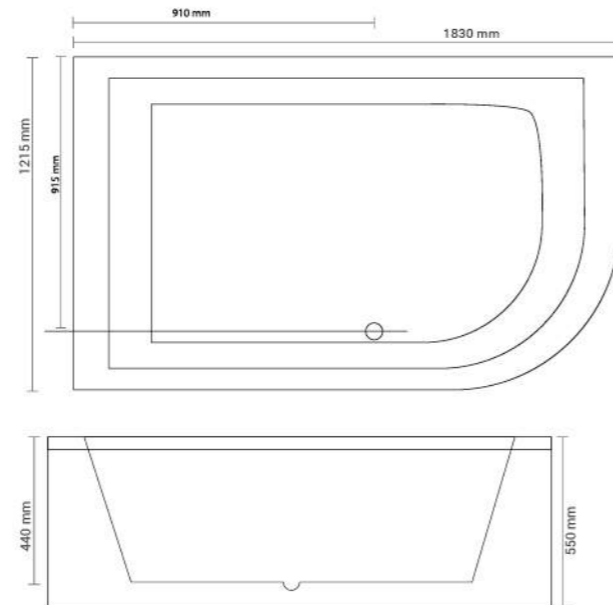
- 6 Hydro massage jets
- 10 Micro jets for back massage
- Under water light with chroma
- Big neck rest
- Popup waste with overflow for drain
- Hot & cold single lever mixer
- 2 Hp hydro massage pump
- Hand shower with multiple flows
- Designer water filler
- Flow diverter to switch flow between micro jet & hydro massage jet
- Electronic control panel

Safety features:

- Water lever sensor
- Dry running protection

Optional:

- 8 Air therapy jets with blower
- Online heater



Lagoon

Size: 1425L X 1425W X 430D X 530H (MM)

Features:

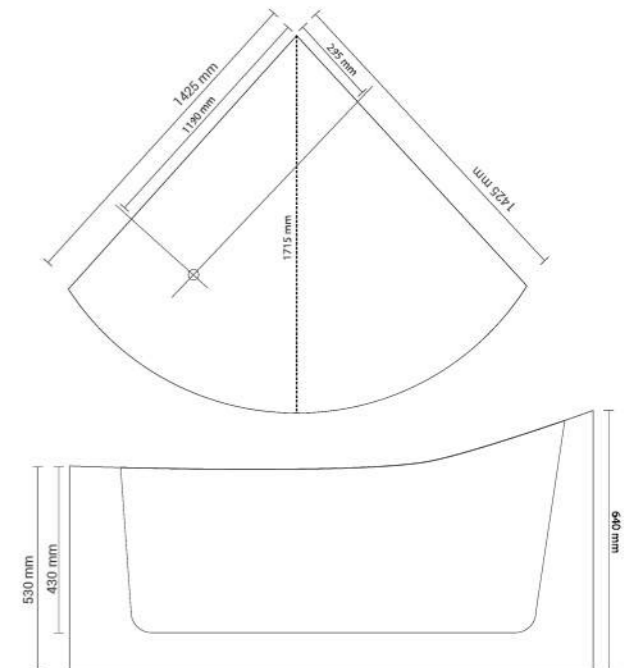
- 10 Spine relieving hydro massage jets for greatest pleasure
- 6 Hydrotherapy massage jets for complete relaxation
- Head rest for ease and comfort
- Hand shower with adjustable sprays
- Fitted with pleasing light, water filler and hot & cold mixer
- Fitted with 2 hp energy saver pump
- Feather touch operation for pump and light
- Flow diverter to switch flow between micro jets and hydro massage jets
- Popup for drain with overflow for drain

Safety features:

- Water lever sensor
- Dry running protection

Optional:

- 8 Air therapy jets with blower
- Online heater





Wave

Size: 1397L X 1397W X 488D X 660H (MM)

Features:

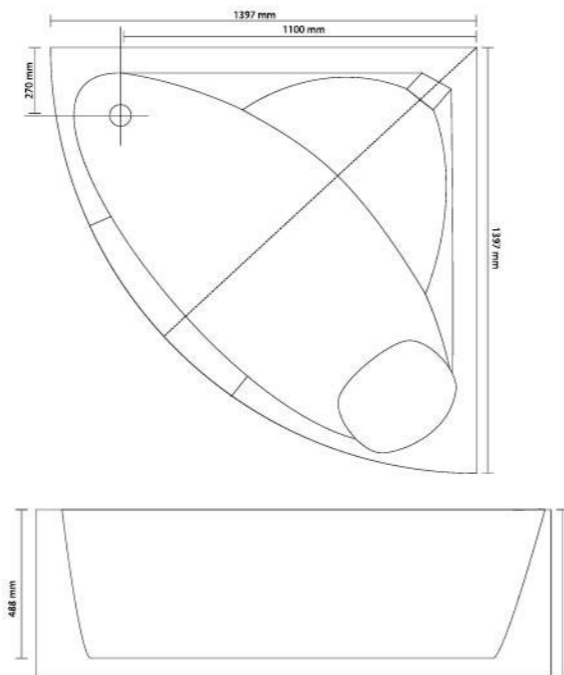
- 5 Big hydro massage jets
- 6 Micro jets for back massage
- 2 Hp hydro massage pump
- Hand shower
- Hot & cold mixer and divertor
- Water filler
- Electronic control panel
- Designer pillow
- Under water light with chroma
- Popup waste for drain with overflow

Optional:

- Online heater
- 8 Air therapy jets with blower

Safety features:

- Water lever sensor
- Dry running protection



Century

Size: 1509L X 1509W X 465D X 559H (MM)

Features:

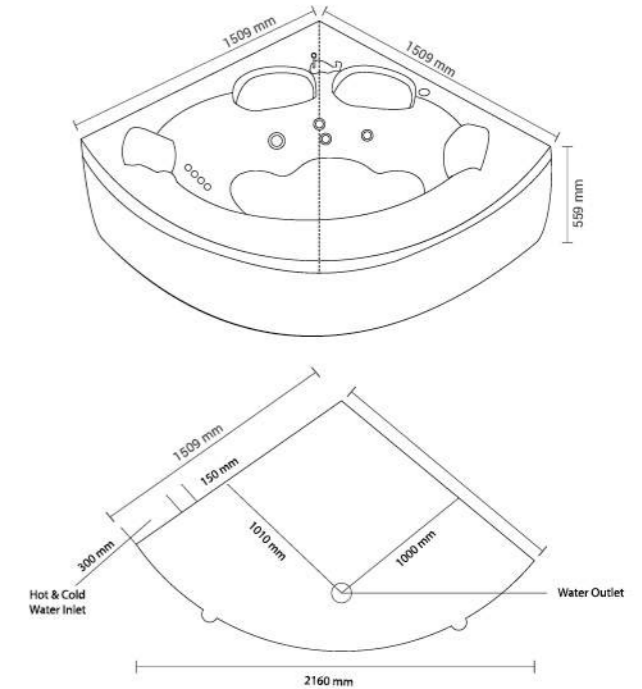
- 12 Spine relieving hydro massage jets for greatest pleasure
- 6 Hydrotherapy massage jets for complete relaxation
- Head rest for ease and comfort
- Fitted with pleasing light, water filler and hot & cold mixer
- Fitted with 2 hp energy saver pump
- Feather touch operation for pump and light
- Flow diverter to switch flow between micro jets & hydro massage jets
- Pop-up for drain with overflow

Safety features:

- Water lever sensor
- Dry running protection

Optional :

- Online heater
- 8 Air therapy jets with blower





Uthopia

Size: 1562L X 1562W X 440D X 565H (MM)

Features:

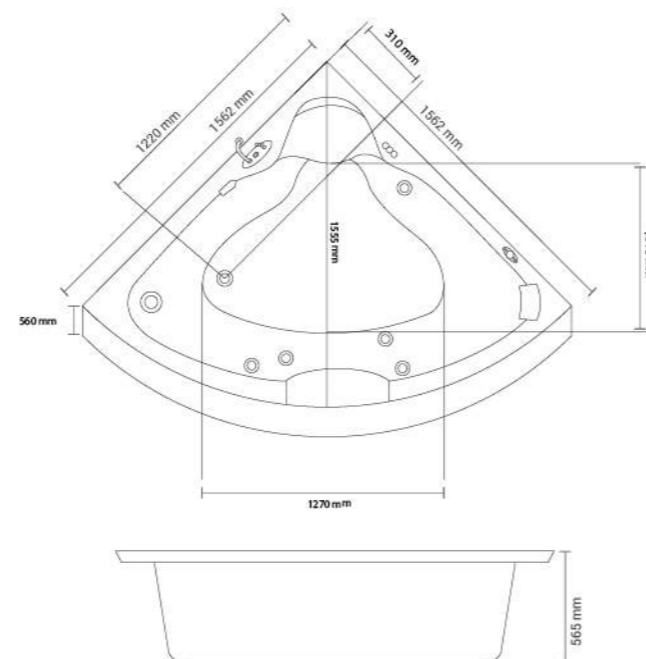
- 10 Spine relieving hydro massage jets for greatest pleasure
- 6 Hydrotherapy massage jets for complete relaxation
- Head rest for ease and comfort
- Hand shower with adjustable sprays
- Fitted with pleasing light, water filler and hot & cold mixer
- Fitted with 2 hp energy saver pump
- Feather touch operation for pump and light
- Flow diverter to switch flow between micro jets & hydro massage jets
- Pop-up for drain with overflow

Safety features:

- Water lever sensor
- Dry running protection

Optional:

- Online heater
- 8 Air therapy jets with blower



Evoke

Size: 1428L X 1428W X 425D X 525H (MM)

Features:

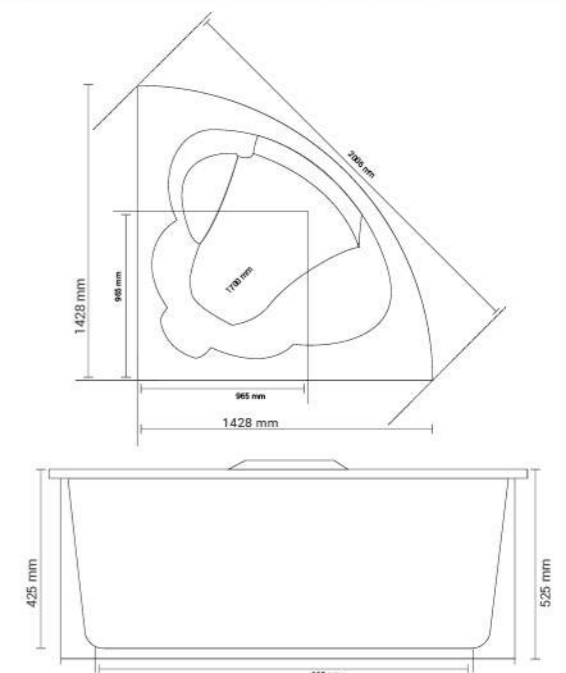
- 4 Roto massage jets
- 6 Hydro massage jets
- 1 Hp hydro massage pump
- Designer pillow
- Hot & cold mixer and diverter
- Hand shower
- Water filler
- Popup waste with overflow
- Electronic control panel

Safety features:

- Water lever sensor
- Dry running protection

Optional:

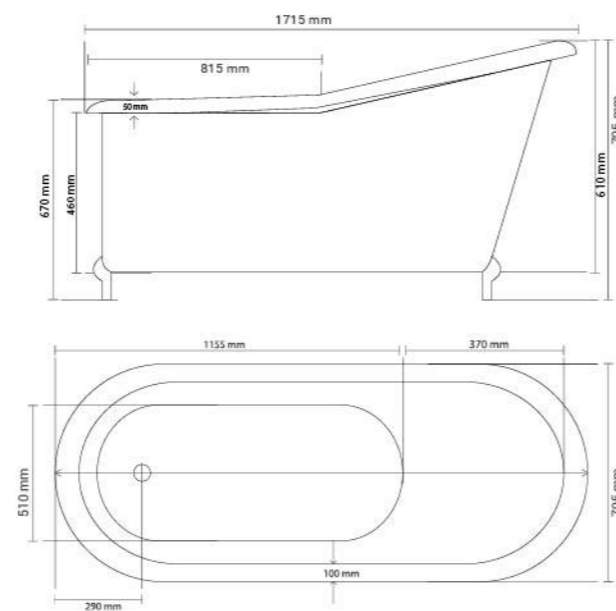
- Online heater
- 8 Air therapy jets with blower





Carol

Size: 1715L X 795W X 460D X 670H (MM)



Stark

Size: 1707L X 749W X 460D X 560H (MM)

Optional:

- 1Hp & 2Hp whirlpool system
- Air blower system
- Online heater /light
- Manual system & electronic system.
- Underwater Light
- Hot & cold mixture
- Panel Optional

